

# BVEM MID PRESSURE

An economical, low mass, and efficiently designed ball valve for 3000 PSI Max applications.

From 2½" to 4" and UP

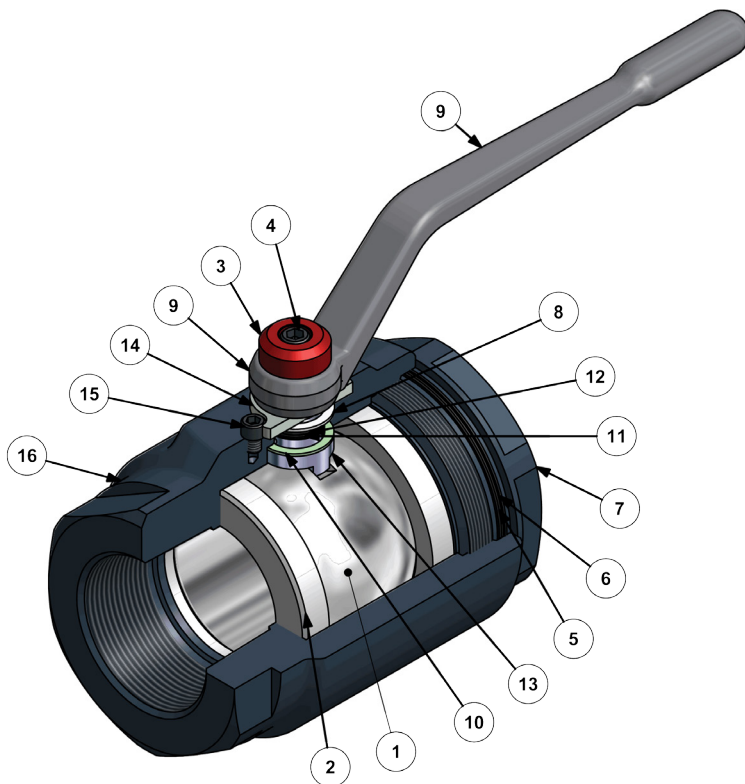


DMIC's **BVEM** series provides a cost effective, durable, high quality ball valve solution for quality 3,000 PSI systems where the budget can't support a 6000 PSI valve.

- DMIC's leading quality-value profile in a purpose built 3,000 PSI valve
- **Built to take the pressure spikes, temperatures, & elevated demands of hydraulic service**
- Uses top grade **ball seals**, with **O-Ring sealing** throughout
- **Suitable for actuation and panel mounting**, accepts the full range of DMIC High Pressure Ball Valve Accessories & Actuation Packages
- **A reliable choice for Phosphate Esters, Water Glycols, and other unusual media** (may require optional materials; ships with std. Buna-N seals)

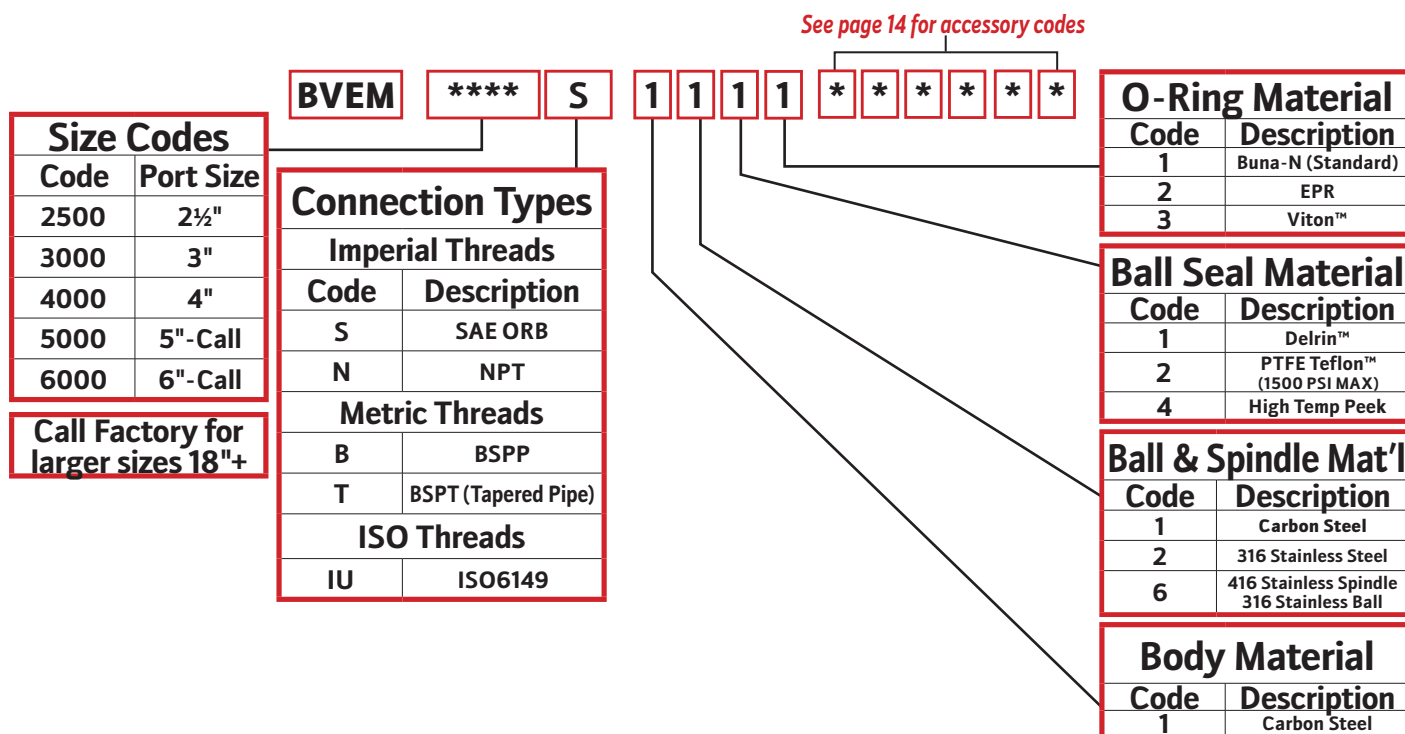
## Service Parts BOM

BVAM	SERVICE PARTS BOM	
Index	Qty	Description
1	1	Ball
2	2	Ball Seal
3	1	Color Code Cap
4	1	Color Code Cap Screw
5	1	End Connection O-Ring
6	1	End Connection O-Ring
7	1	End Connection
8	1	External Glide Washer
9	1	Handle
10	1	Internal Thrust Washer
11	1	Spindle O-Ring
12	1	Spindle O-Ring
13	1	Spindle, Steel
14	1	Stop Washer
15	1	Stop Washer Bolt
16	1	Valve Body



# BVEM MID PRESSURE

## Ordering Codes Summary



**Note:** Changes from Standard Materials may result in changes to temperature and/or pressure rating.

**Additional Note:**

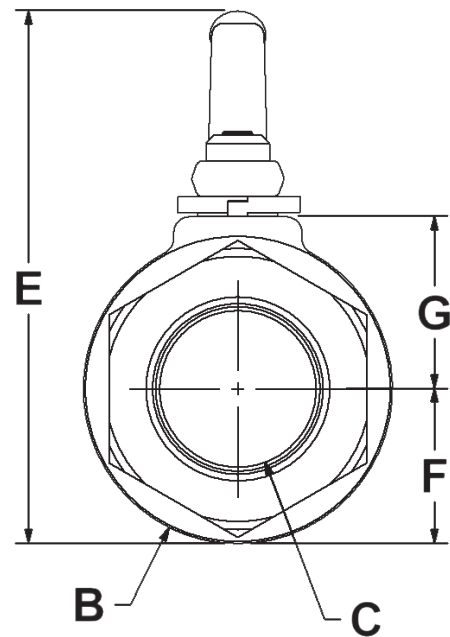
2-½" & 3" ship standard with a Crank Handle. Whereas the 4" and larger ships with a High Torque Handle.

*Due to our policy of continual product improvement, the specifications in this catalog may change without notice. When designing by spec, please request a certified print.*

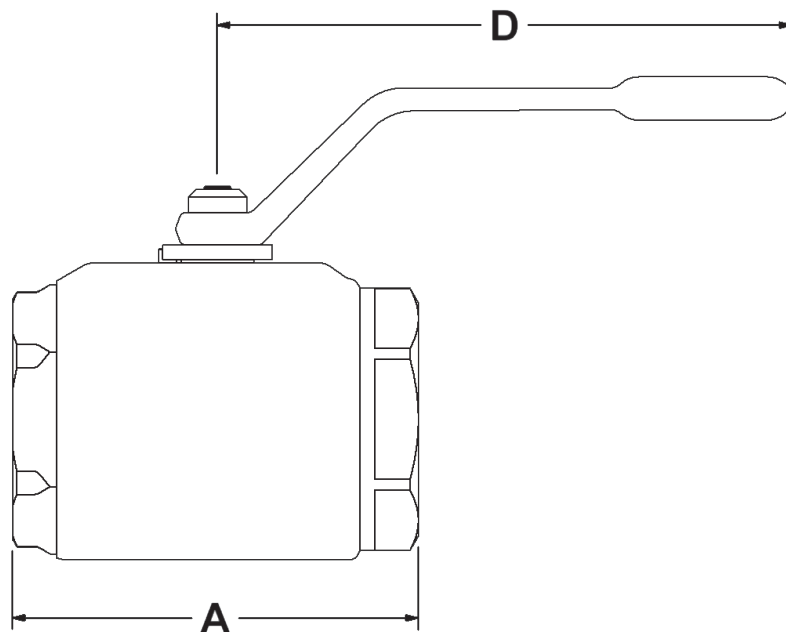


# BVEM MID PRESSURE

BVEM		Dependent Dimensions			
Threaded Connection					
Dimension (Inches)		A	E	F	G
Port Code(s)	Port Size*	Overall Length	Overall Height	Bot to CtrLine	Port Ctr to Top
N S B IU Threaded Connections	2½"	6.96	8.29	2.38	2.68
	3"	8.26	9.60	3.38	3.20
	4"	9.98	12.17	4.00	4.29

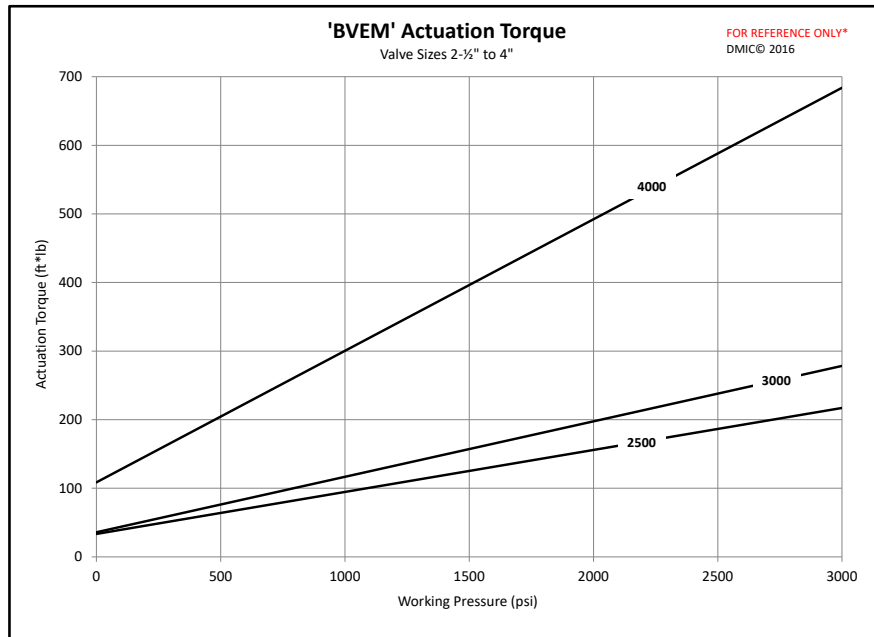
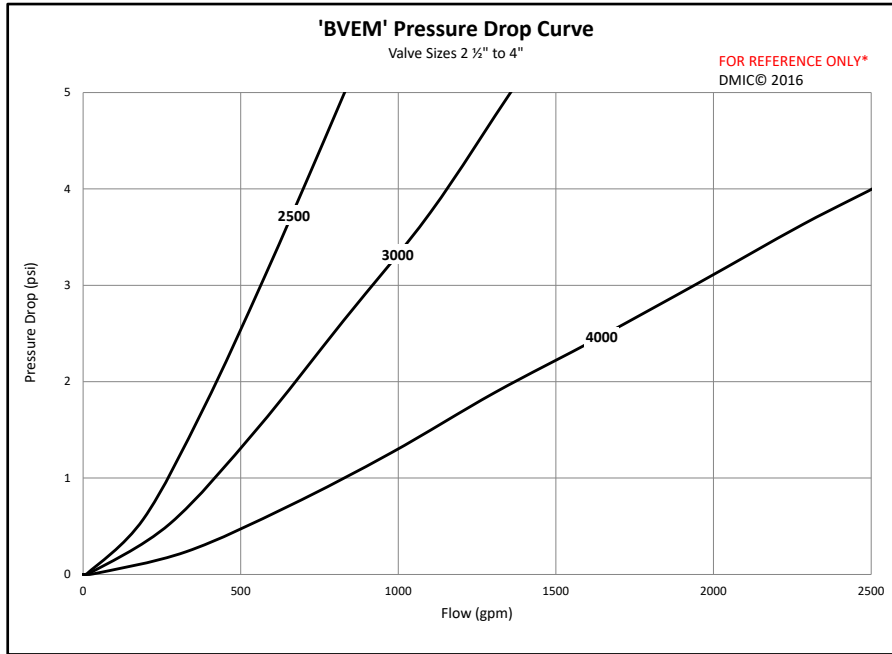


BVEM	Common Dimensions					
	Part Number	Port Size	Rated Pressure PSI	Dimensions IN		
				Valve Width B	Valve Bore C	Handle Length D
BVEM-2500****	2½"	3000	4.75	2.44	9.86	
BVEM-3000****	3"	3000	6.76	2.94	12.00	
BVEM-4000****	4"	3000	8.00	3.94	14.50	



# BVEM MID PRESSURE

## Flow Characteristic and Actuation Torque Curves



*Due to our policy of continual product improvement, the specifications in this catalog may change without notice. When designing by spec, please request a certified print.*

