

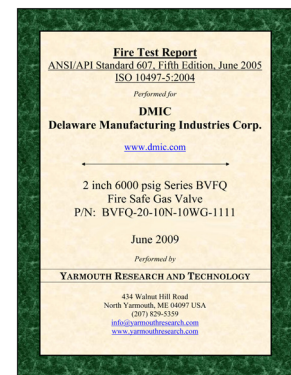
BVFQ/BVFQG

FireSafe 6000 PSI - Certified to API 607 5th Edition

DMIC BVFQ starts with the High Quality BVQ as a foundation. Then secondary sealing is added to attain the DMIC certified FireSafe Valve Series



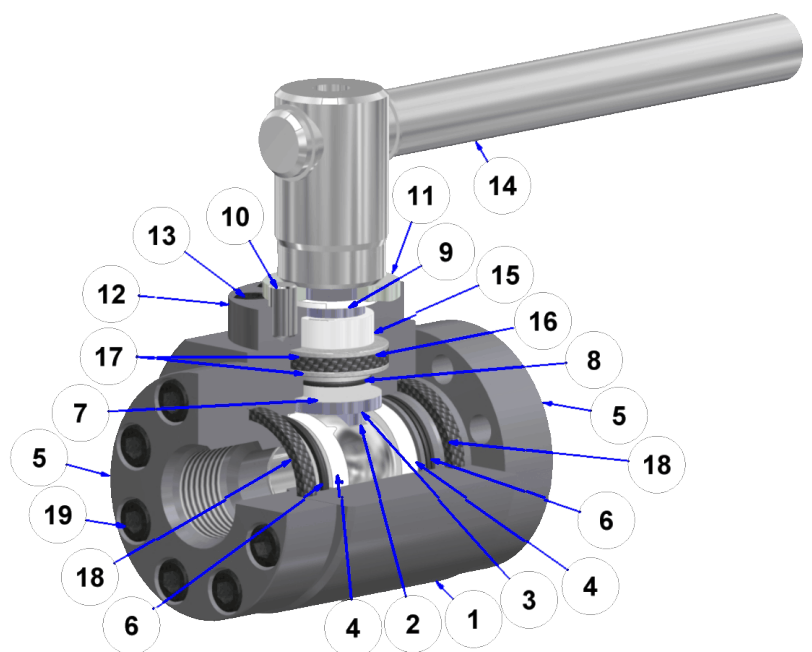
- Standard sizes range from ½" - 6" bore; Call for sizes greater than 2" bore.
- Designed for demanding applications where high performance & quality are required
- 6,000 PSI with generous design factor to eliminate damage due to pressure spikes.
- Wide variety of bolted end connections ideal for heavy industrial applications.
- Isolated spindle without metal-to-metal contact
- Secondary Sealing Material



Service Parts BOM

BVFQ/FQG	SERVICE PARTS BOM	
Index	Qty	Description
1	1	VALVE BODY
2	1	BALL
3	1	SPINDLE
4	2	BALL SEAL
5	2	END CONNECTIONS
6	2	END CONNECTION O-RINGS
7	1	INTERNAL THRUST WASHER
8	1	SPINDLE O-RING
9	1	EXTERNAL GLIDE WASHER
10	1	STOP PIN
11	1	STOP WASHER
12	1	TOP CAP
13	*	TOP CAP MOUNTING BOLTS
14	1	HANDLE
15	1	SPINDLE BUSHING
16	1	FIRE SAFE SPINDLE SEAL
17	2	SEAL REINFORCEMENT RINGS
18	2	FIRE SAFE END CONNECTION SEALS
19	*	END CONNECTION MOUNTING BOLTS

* - Quantity depends on size



BVFQ/BVFQG

Ordering Codes Summary

See page 14 for accessory codes

BVFQ ******** **N** **1** **1** **1** **1** ***** ***** ***** ***** ***** *****

Size Codes	
Code	Port Size
0500	½"
0750	¾"
1000	1"
1250	1¼"
1500	1½"
2000	2"
2500	2½" - Call

**All sizes are reduced Bore please check dimensional chart.*

Connection Types	
Imperial Threads	
Code	Description
N	NPT
Welded	
W*	Socket Weld
WB*	Butt Weld
Flanged	
A*	ANSI Flanges

O-Ring Material	
Code	Description
1	Buna-N
2	EPR
3	Viton™
5	Chemraz™
6	Kalrez
7	Buna-3716 (Low Temp)

Seals, Bushings, Washers	
Code	Description
1	Delrin™
4	High Temp Peek
6	Delrin™ AF (low Friction)

Ball & Spindle	
Code	Description
1	Carbon Steel - ASTM A108
2	Stainless Steel - 316

Body Material	
Code	Description
1	Carbon Steel - ASTM A108
2	Stainless Steel

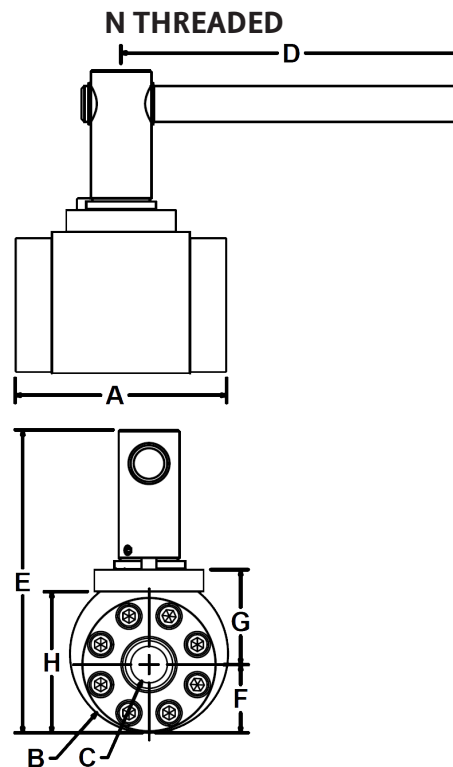
Note: Changes from Standard Materials result in changes to temperature and/or pressure rating.

Due to our policy of continual product improvement, the specifications in this catalog may change without notice. When designing by spec, please request a certified print.

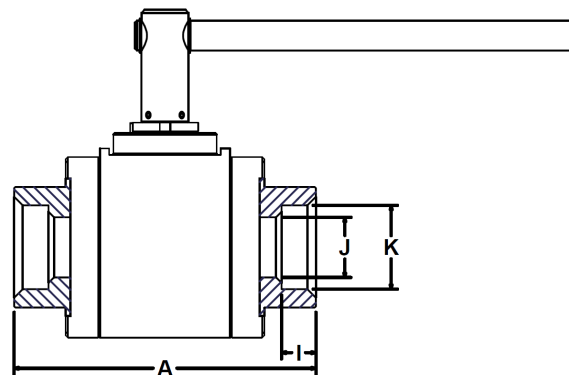


BVFQ/BVFQG

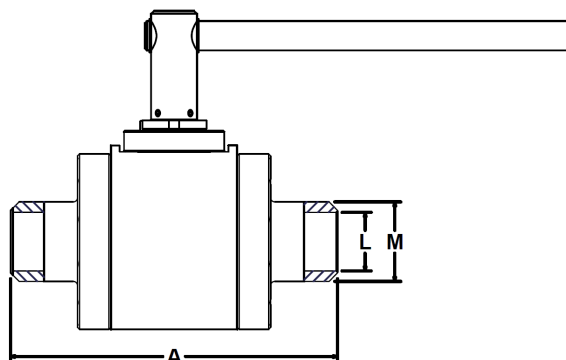
BVFQ/ BVFQG		Dependent Dimensions							
Threaded Connection									
Dimension (Inches)		A	B	C	D	E	F	G	H
Port Code(s)	Port Size	Overall Length	Body Width	Bore Size	Handle Length	Overall Height	Bottom to Center of Bore	Center of Bore to Top	Body Height
N Threaded Connections	½"	3.21	2.75	0.50	4.50	4.31	1.14	1.53	2.25
	¾"	4.34	3.25	0.75	7.00	6.27	1.40	1.95	2.90
	1"	4.33	3.50	0.88	7.00	6.58	1.54	2.12	3.21
	1¼"	4.75	4.25	1.13	10.00	7.59	1.91	2.49	3.90
	1½"	5.09	5.00	1.31	10.00	8.46	2.25	3.01	4.64
	2"	6.40	5.50	1.75	12.00	9.53	2.63	3.31	5.31
Socket Weld Connection									
Dimension (Inches)		A	I	J	K				
Port Code(s)	Port Size	Overall Length	Socket Depth	Connection Inside Diameter	Inside Socket Outer Diameter				
W* SCH.X Socket Weld End Connections	½"	5.50	0.75	DEPENDENT UPON PIPE SCHEDULE	0.88				
	¾"	9.25	0.75		1.09				
	1"	7.00	1.00		1.36				
	1¼"	7.50	1.00		1.70				
	1½"	8.09	1.00		1.95				
	2"	8.78	1.00		2.44				
Butt Weld Connection									
Dimension (Inches)		A	L	M					
Port Code(s)	Port Size	Overall Length	Connection Inside Diameter	Pipe Diameter					
WB* SCH.X Butt Weld End Connections	½"	Call Factory							
	¾"								
	1"								
	1¼"								
	1½"								
2"									



W(*) FIXED SOCKET WELD
(* PIPE SCHEDULE CHARACTER)

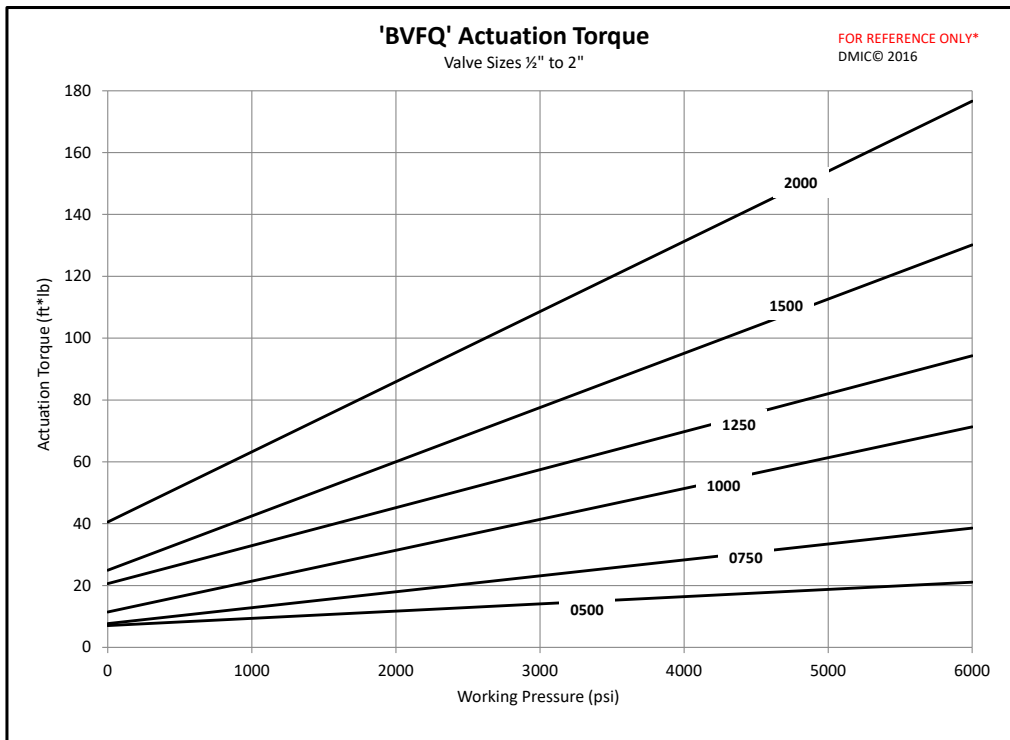
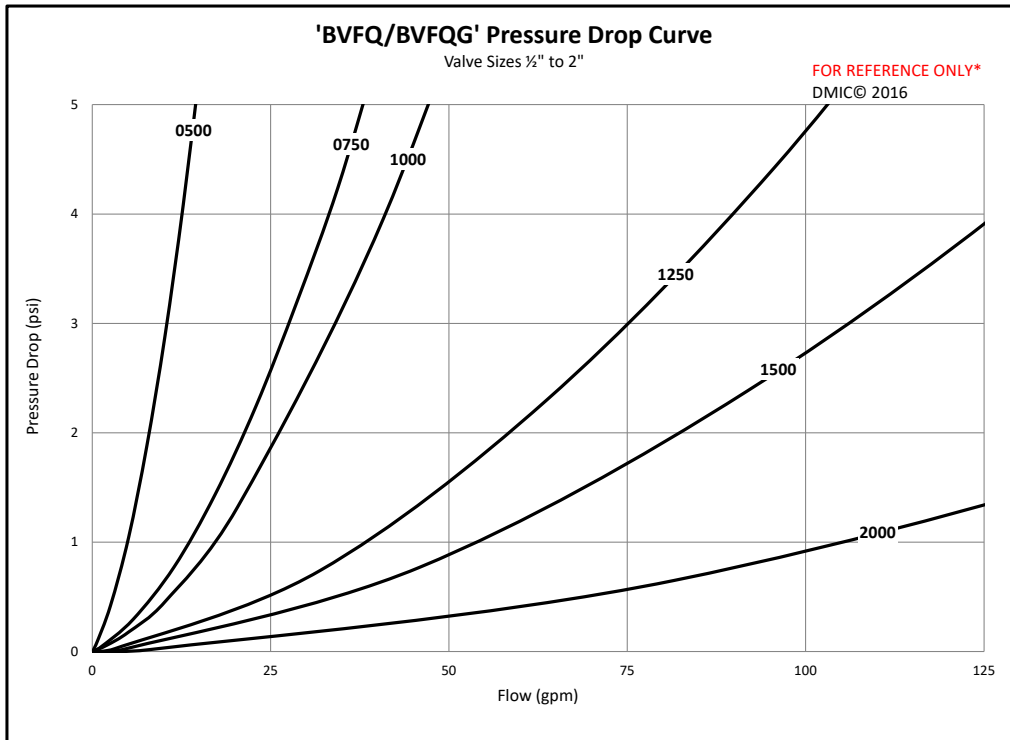


WB(*) FIXED BUTT WELD
(* PIPE SCHEDULE CHARACTER)



BVFQ/BVFQG

Flow Characteristic and Actuation Torque Curves



Due to our policy of continual product improvement, the specifications in this catalog may change without notice. When designing by spec, please request a certified print.

