

# BVHS 6000 PSI

## Stainless Steel Round Body Ball Valves for 6000 PSI, 1"-6"

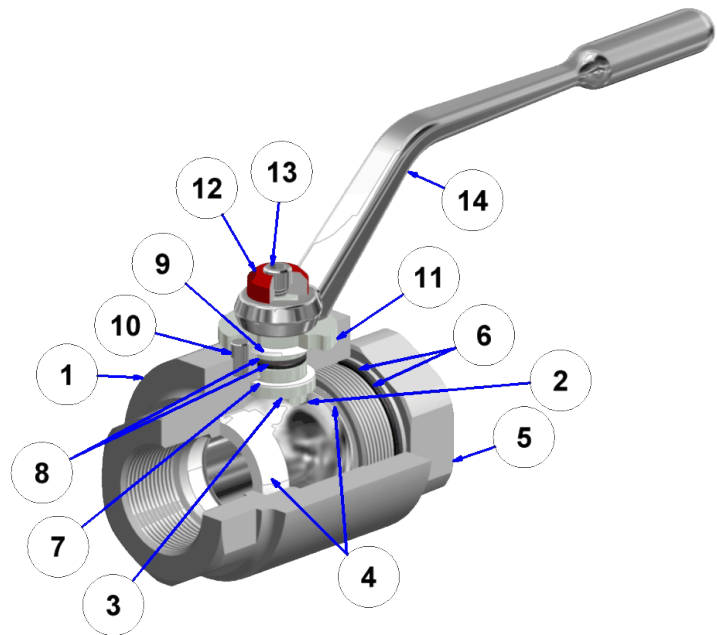


- **Strictly Stainless Steel construction** available in 1"-6" bore sizes
- Valves are full-pressure 6,000 PSI rated for continuous/normal operation
- Resistance to extreme chemical, industrial, outdoor, and marine environments
- Widest array of connection types available
- Standard Delrin™ Ball Seals & Buna-N Elastomer Seals. Other materials available, for full fluid compatibility range
- Wide variety of additional accessories available

\*Please note: For valves larger than 2", large pressure differentials may make the valve difficult to open and the pressure balance may be required. Ask your DMIC sales Associate for more info!

### Service Parts BOM

BVHS	SERVICE PARTS BOM	
Index	Qty	Description
1	1	Valve Body
2	1	Ball
3	1	Spindle
4	2	Ball Seal
5	1	End Connection(s)
6	1	End Connection O-Ring
7	1	Internal Thrust Washer
8	1	Spindle O-Rings
9	1	External Glide Washer
10	1	Stop Pin
11	1	Stop Washer
12	1	Color Coded Top Cap
13	1	Top Cap Screw
14	1	Handle

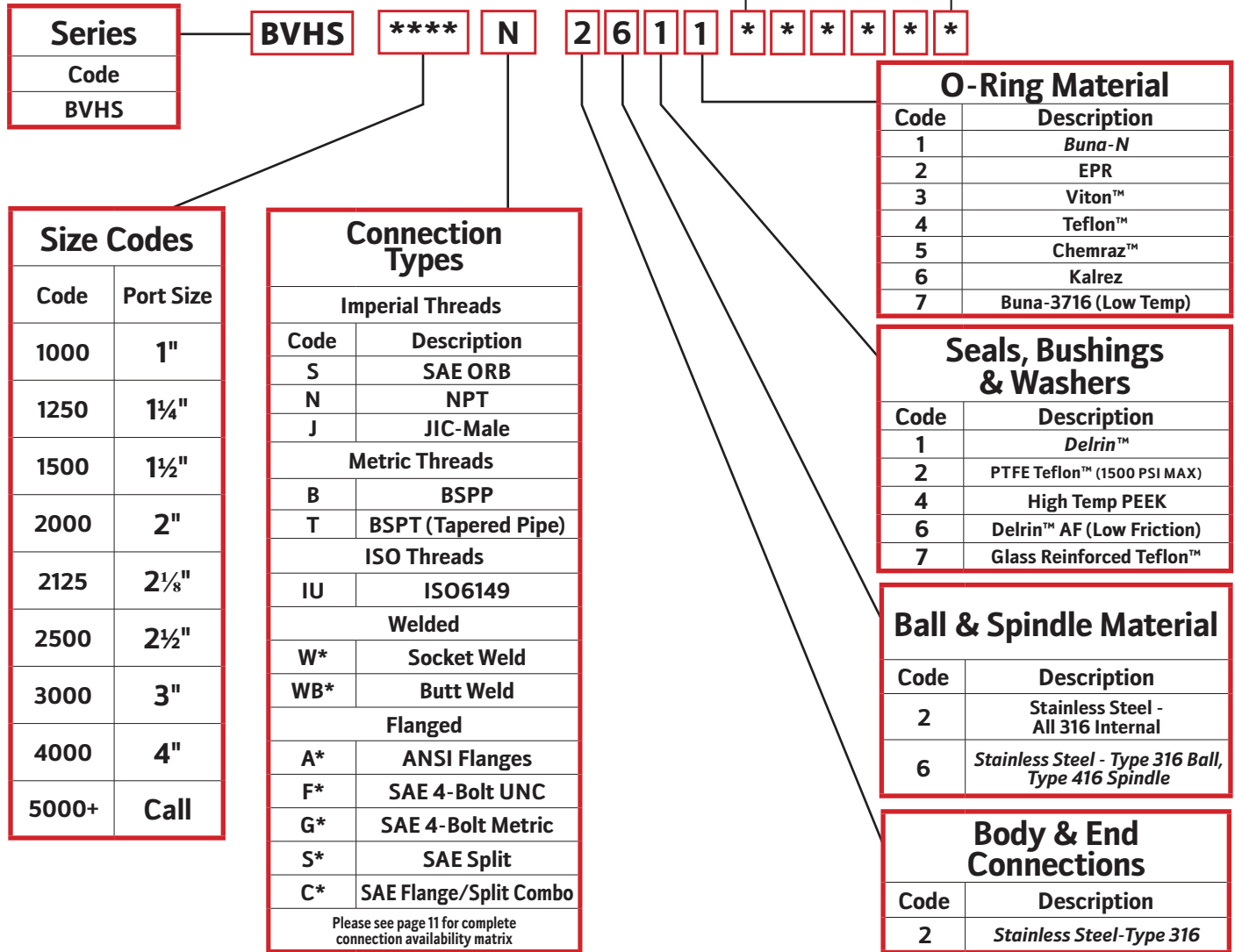


# BVHS 6000 PSI

## Ordering Codes Summary

Please see the expanded section on Construction Materials and DMIC Pre-Engineered Accessories, pgs 12-15

See page 14 for accessory codes



**Note:** Changes from Standard Materials may result in changes to temperature and/or pressure rating.

Due to our policy of continual product improvement, the specifications in this catalog may change without notice. When designing by spec, please request a certified print.



# BVHS 6000 PSI

## BVHS Dimensional Information (1 of 2)

Dimensions B, C, D, E, F, G, & H are common dimensions shared between all BVHS Valves, independent of Connection Type

### Threaded Connections (6000 PSI)

Dimension (Inches)		A	B	C	D	E	F	G	H
Port Code(s)	Port Size	Overall Length	Body Diameter	Bore Size	Handle Length	Overall Height	Bottom to Port Center	Port Center to Top	Width
N S B IU Threaded Connections	1"	4.85	3.13	0.88	7.00	5.36	1.56	2.37	3.00
	1¼"	4.85	4.00	1.13	9.86	7.00	2.00	3.13	3.75
	1½"	5.35	4.25	1.31	9.86	7.33	2.13	3.33	4.13
	2"	6.54	5.00	1.75	9.86	7.99	2.50	3.62	4.75
	2½"	6.54	5.25	2.00	9.86	8.29	2.63	3.80	5.00
	2½"	7.75	7.44	2.25	12.00	10.45	3.72	5.03	7.44
3"	Call Factory								
4"	Call Factory								

### SAE C.61 4-Bolt Flange Connections

Dimension (inches)		-	A	C	J	K	L	M	
Port Code(s)	Port Size	Working PSI	Overall Length FM/GM	Bore Size	Flange Diameter	Flg Pad Short	Flange Pad Long	UNC Bolt Thr	Metric Bolt Thr
FM/GM SAE C.61 4-Bolt Comp. Connections	1"	5000 PSI	5.27	0.88	3.00	1.03	2.06	¾"	M10
	1¼"	4000 PSI	6.90	1.13	3.38	1.19	2.31	7/16"	M10
	1½"		7.09	1.31	3.75	1.41	2.75	½"	M12
	2"	3000 PSI	8.06	1.75	4.50	1.69	3.06	½"	M12
	2½"	2500 PSI	11.25	2.25	5.00	2.00	3.50	½"	M12
	3"	2000 PSI	Call Factory						
4"	500 PSI	Call Factory							

### SAE C.62 4-Bolt Flange Connections (6,000 PSI)

Dimension (inches)		A	C	J	K	L	M	
Port Code(s)	Port Size	Overall Length	Bore Size	Flange Diameter	Flg Pad Short	Flg Pad Long	UNC Bolt Thr	Metric Bolt Thr
FH/GH SAE C.62 4-Bolt Comp. Connections	1"	5.27	0.88	3.38	1.09	2.25	7/16"	M12
	1¼"	6.90	1.13	3.75	1.25	2.63	½"	M12
	1½"	7.09	1.31	4.50	1.44	3.13	5/8"	M16
	2"	8.06	1.75	5.50	1.75	3.81	¾"	M20
	2½"	8.06	2.00	5.50	1.75	3.81	¾"	M20

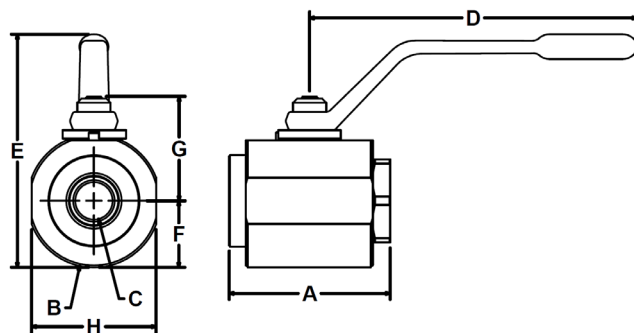
### SAE C.61 Split Flange Connections

Dimension (inches)		-	A	C	N	-		A <sub>CM</sub>
Port Code(s)	Port Size	Working PSI	Overall Length (SM)	Bore Size	O-Ring No.	DMIC Split Flange Kit		Overall Length (CM)
SM & CM SAE C.61 Split & Flange Combo	1"	5000 PSI	6.99	0.88	2-219	FSL-1000SK		6.26
	1¼"	4000 PSI	7.51	1.13	2-222	FSL-1250SK		7.53
	1½"		9.84	1.31	2-225	FSL-1500SK		8.84
	2"	3000 PSI	10.12	1.75	2-228	FSL-2000SK		9.60
	2½"	2500 PSI	10.11	2.00	2-228	FSL-2000SK		9.54
	3"	2000 PSI	Call Factory					
4"	500 PSI	Call Factory						

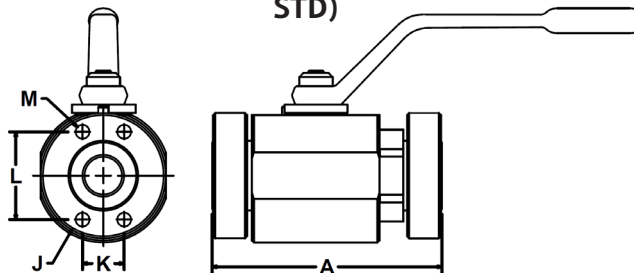
### SAE C.62 Split Flange Connections (6000 PSI)

Dimension (inches)		A	C	N	-		A
Port Code(s)	Port Size	Overall Length (SH)	Bore Size	O-Ring No.	DMIC Split Flange Kit		Overall Length (CH)
SH & CH SAE C.62 Split & Flange Combo	1"	7.79	0.88	2-219	FSH-1000SK		6.66
	1¼"	8.77	1.13	2-222	FSH-1250SK		8.16
	1½"	11.07	1.31	2-225	FSH-1500SK		9.45
	2"	12.44	1.75	2-228	FSH-2000SK		10.76
	2½"	12.55	2.00	2-228	FSH-2000SK		10.80

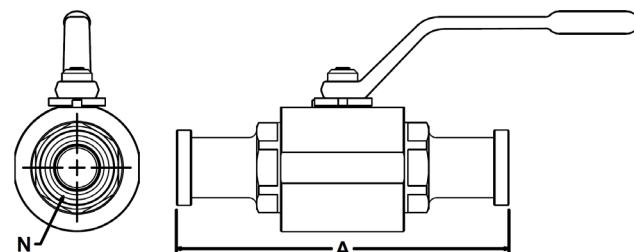
### N, S, B, IU THREADED



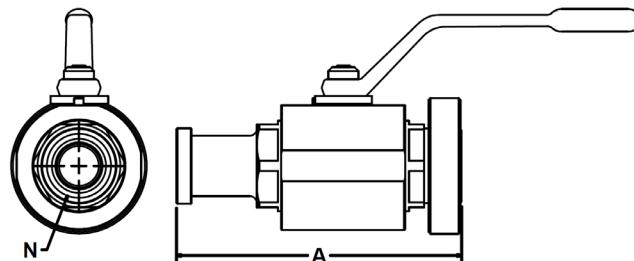
### FM/FH, GH/GM, SAE 4 BOLT FLANGE (COMP & STD)



### SM/SH SAE SPLIT FLANGE HEAD



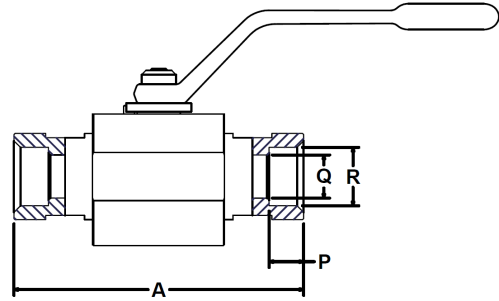
### CM/CH SAE 4-BOLT & SPLIT "COMBO" FLANGE



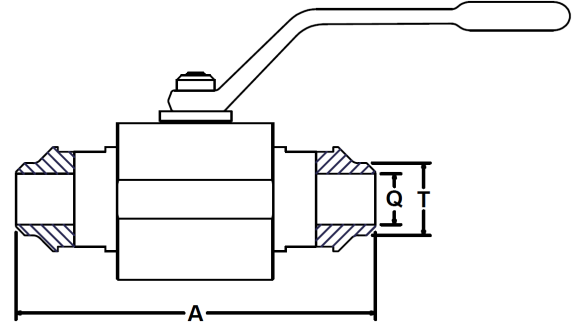
# BVHS 6000 PSI

BVHS		Dimensional Information (2 of 2)					
Fixed Socket Weld Connections (6000 PSI)							
Dimension (Inches)		A	C	P	Q	R	
Port Code(s)	Port Size	Overall Length	Bore Size (Ball)	Socket Depth	Connection Inside Diameter	Inside Socket Outer Diameter	
<b>W*</b>	1"	7.67	0.88	1.00	Dependent Upon Pipe Schedule	1.36	
*4-SCH 40	1¼"	8.40	1.13	1.00		1.69	
*8-SCH 80	1½"	9.47	1.31	1.00		1.95	
*F-SCH 160	2"	10.60	1.75	1.00		2.44	
*G-XXS	2½"	10.60	2.00	1.00		2.44	
More Sizes Available Upon Request	3"	Call Factory					2.92
	4"						
Fixed Butt-Weld Connections (6000 PSI)							
Dimension (inches)		A	C	T	Q		
Port Code(s)	Port Size	Overall Length	Bore Size	Weld Neck Outside Diameter	Connection Inside Diameter		
<b>WB*</b>	1"	7.92	0.88	1.31	Dependent Upon Pipe Schedule		
*4-SCH 40	1¼"	9.01	1.13	1.66			
*8-SCH 80	1½"	9.47	1.31	1.91			
*F-SCH 160	2"	10.60	1.75	2.38			
*G-XXS	2½"	10.60	2.00	2.38			
More Sizes Available Upon Request	3"	Call Factory					
	4"						

**W(\*) FIXED SOCKET WELD**  
(\*) PIPE SCHEDULE CHARACTER

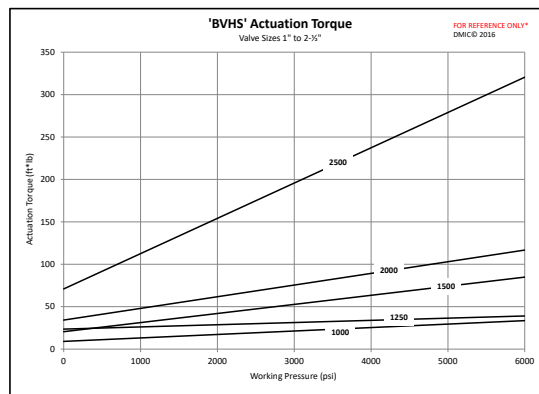
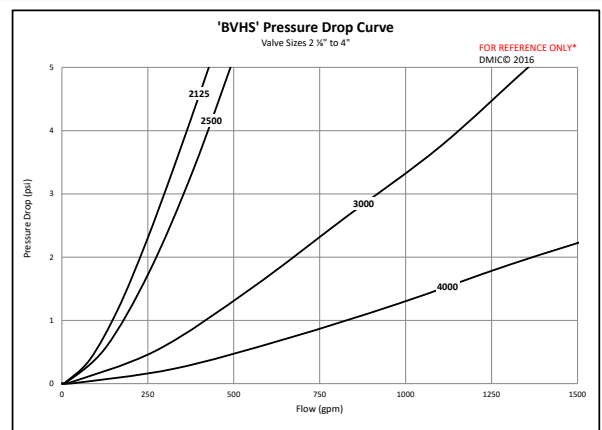
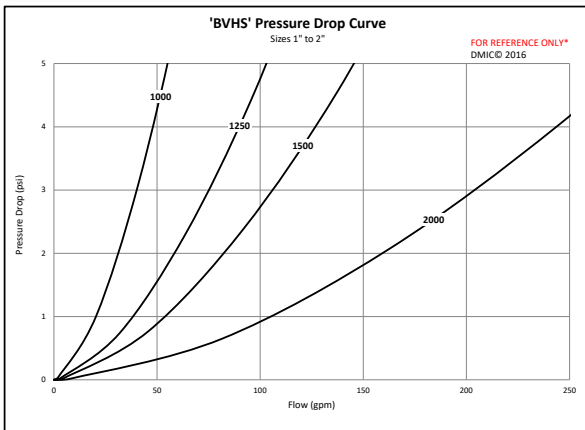


**WB(\*) FIXED BUTT WELD**  
(\*) PIPE SCHEDULE CHARACTER



**\*Please Note:**  
Always operate System Pressure According to Pipe Schedule. DMIC BVHS Ball Valves are rated at 6000 PSI which may exceed Maximum Allowable due to Pipe Schedule.

## Flow Characteristic and Actuation Torque Curves



**Due to our policy of continual product improvement, the specifications in this catalog may change without notice. When designing by spec, please request a certified print.**

