

# BVLS LOW PRESSURE

**1000 PSI MAX; NPT/SAE/BSPP ; PTFE Ball Seals**  
*¼" to 2" size*

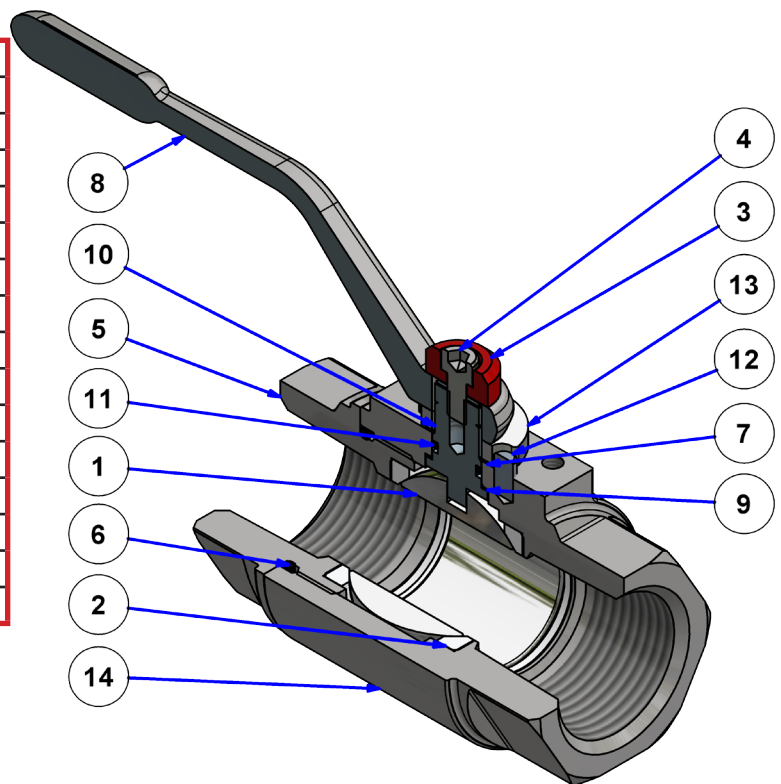


DMIC's BVLS Series provide a cost effective, durable, high quality ball valve solution for 1000 psi systems.

- 1000 psi MAWP for Water, Oil and Gas (WOG).
- Designed for temperature -20 to 400°F [-29 to 204°C].
- All stainless steel construction.
- NACE MR0175 Compliant.
- CRN approval for all Canadian Provinces.
- Low frictions seals for low actuation torque.
- Actuation and Panel mounting provisions available.
- Fire safe versions available.
- Meets API 6D and API 598 pressure tests.

## Valve Cutaway View & Service Parts BOM

BVLS Index	Qty	SERVICE PARTS BOM Description
1	1	Ball
2	2	Ball Seal
3	1	Color Code Cap
4	1	Color Code Cap Screw
5	1	End Connection
6	1	End Connection O-Ring
7	1	External Glide Washer
8	1	Handle
9	1	Internal Thrust Washer
10	1	Shaft
11	1	Shaft O-Ring
12	1	Stop Pin
13	1	Stop Washer
14	1	Valve Body



# BVLS LOW PRESSURE

## Ordering Codes Summary

See page 14 for accessory codes

**BVLS**   **\*\*\*\***   **S**   **2**   **2**   **2**   **3**   **\***   **\***   **\***   **\***   **\***   **\***

Size Codes	
Code	Port Size
0250	¼"
0375	⅜"
0500	½"
0750	¾"
1000	1"
1250	1¼"
1500	1½"
2000	2"

Connection Types	
Imperial Threads	
Code	Description
S	SAE ORB
N	NPT
Metric Threads	
B	BSPP

Body Material	
Code	Description
2	316 Stainless

Ball & Spindle Mat'l	
Code	Description
2	316 Stainless

Seals, Bushings, Washers	
Code	Description
2	PTFE Teflon™ - ¼" - ¾" Standard
7	Glass filled PTFE - 1" - 1½" Standard
D	Devlon - 2" Standard

O-Ring Material	
Code	Description
3	Viton™ (Standard)

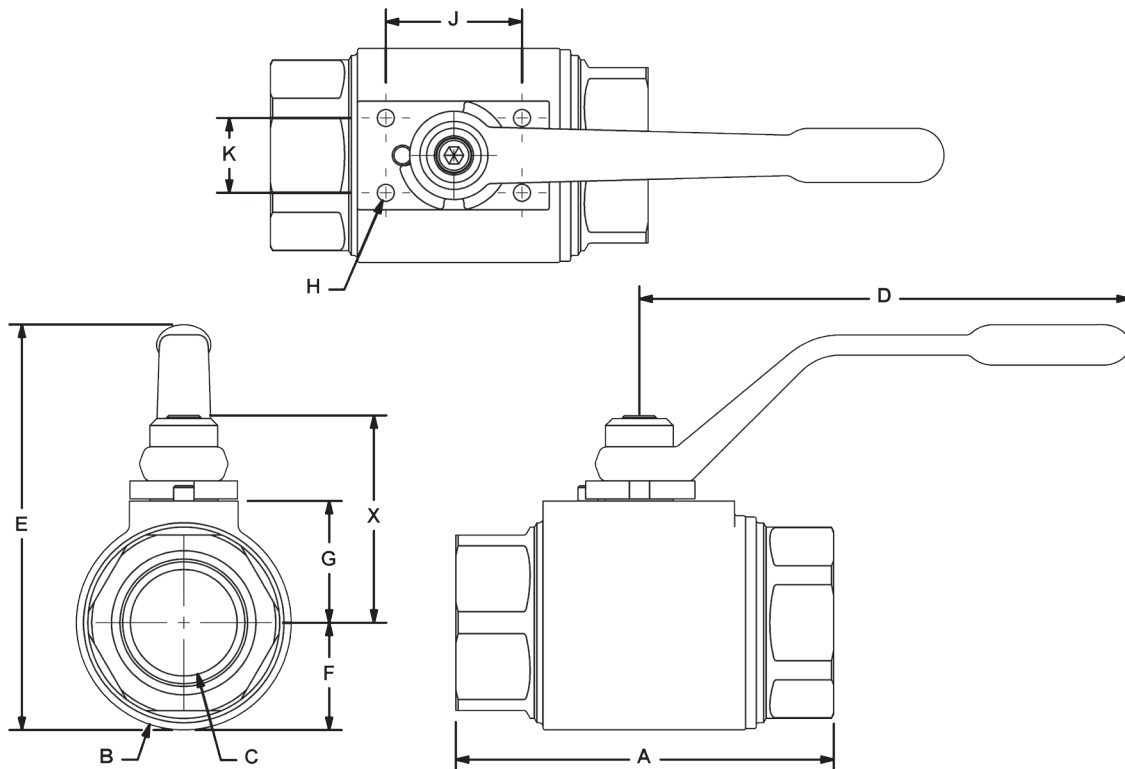
**Note:** Changes from Standard Materials may result in changes to temperature and/or pressure rating.

*Due to our policy of continual product improvement, the specifications in this catalog may change without notice. When designing by spec, please request a certified print.*



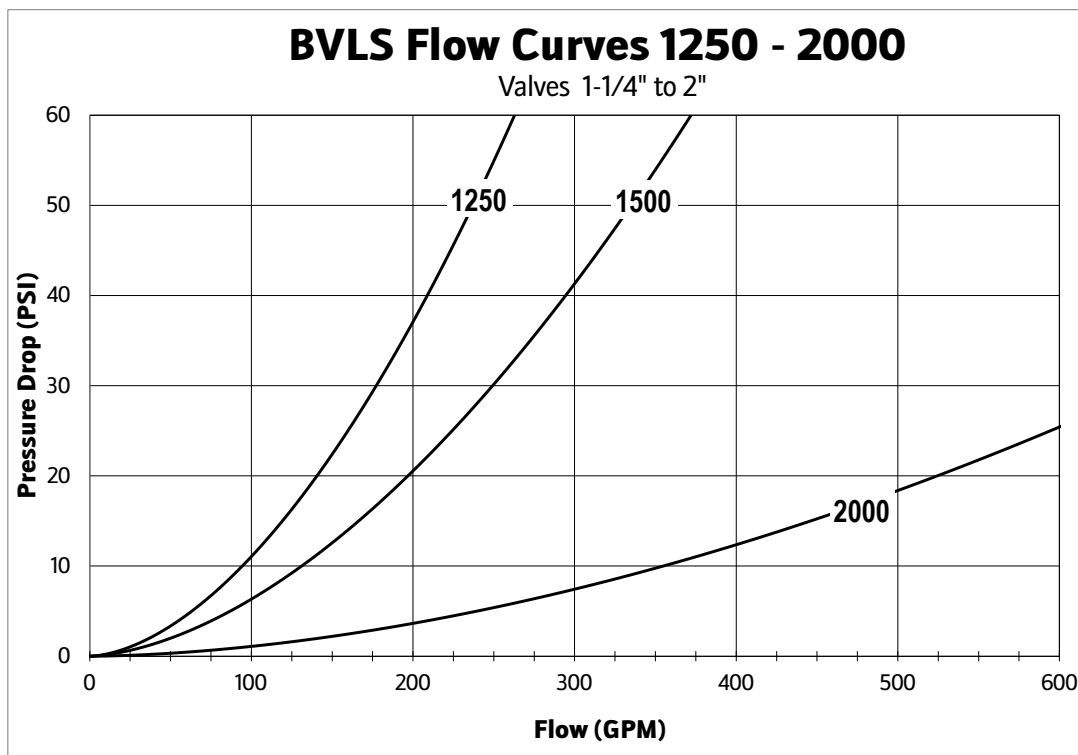
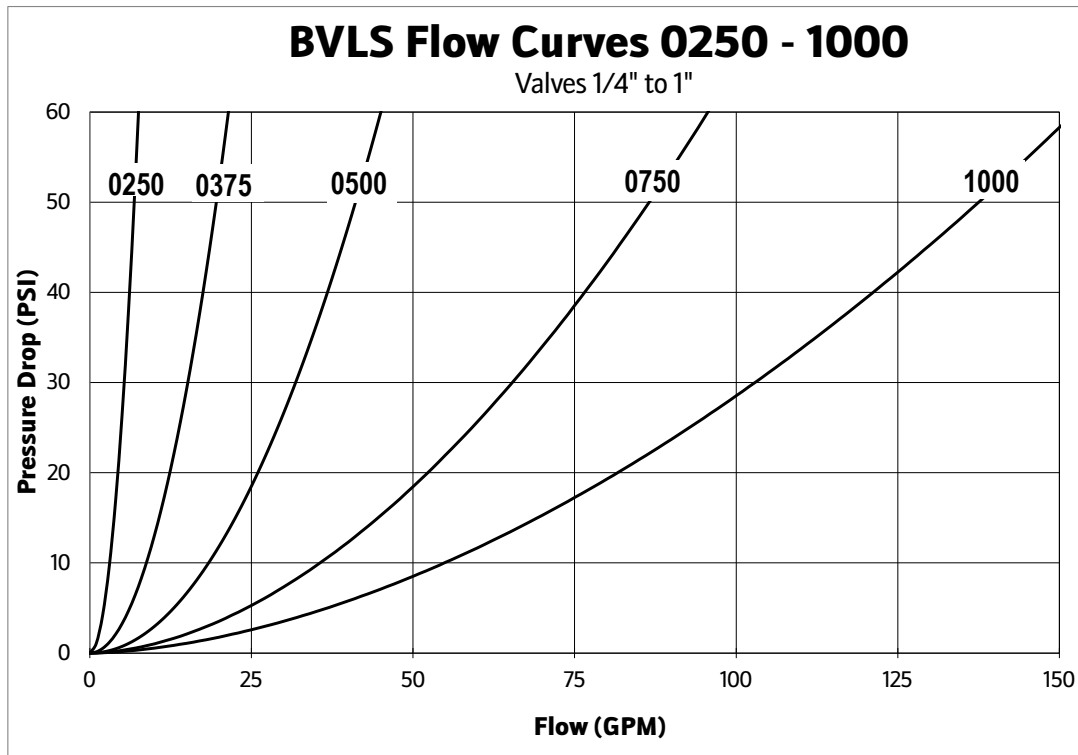
# BVLS LOW PRESSURE

BVLS	Port Size	Dimensions										
		A Length	B Valve Body O.D.	C Bore DIA	D Handle Length	E Overall Height	F Center Height	G Center To Top	H MTG Holes	J MTG Hole	K MTG Hole	X Center To Top
BVLS0250	¼"	2.63	1.40	0.43	4.50	3.18	0.70	0.87	#8-32	1.00	.88	1.66
BVLS0375	⅜"	2.63	1.40	0.50	4.50	3.18	0.70	0.87	#8-32	1.00	.88	1.66
BVLS0500	½"	2.63	1.40	0.55	4.50	3.18	0.70	0.87	#8-32	1.00	.88	1.66
BVLS0750	¾"	3.27	1.71	0.75	4.50	3.46	0.86	1.00	#10-32	1.25	.69	1.78
BVLS1000	1"	3.47	1.97	0.98	4.50	3.72	0.99	1.12	#10-32	1.25	.69	1.91
BVLS1250	1¼"	3.90	2.65	1.25	7.00	5.27	1.33	1.47	¼-28	1.75	1.00	2.51
BVLS1500	1½"	4.32	3.23	1.50	7.00	5.80	1.62	1.71	¼-28	1.75	1.00	2.75
BVLS2000	2"	4.90	3.84	1.97	7.00	6.40	1.92	2.01	¼-28	1.75	1.00	3.05



# BVLS LOW PRESSURE

## Flow Characteristic and Actuation Torque Curves



*Due to our policy of continual product improvement, the specifications in this catalog may change without notice. When designing by spec, please request a certified print.*

