

BVLS ACTUATED

1000 PSI MAX; NPT/SAE/BSPP ; PTFE Ball Seals
¼" to 2" size

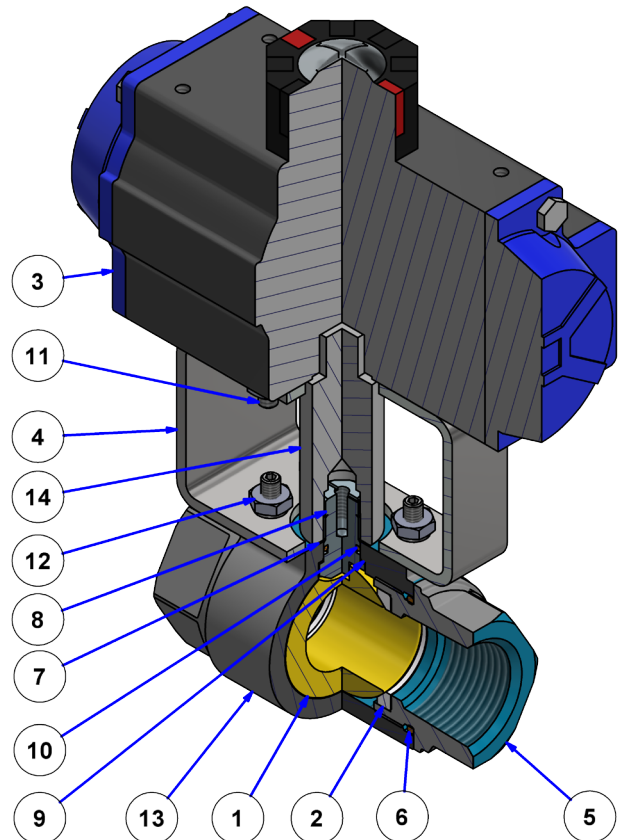
DMIC's BVLS Series provide a cost effective, durable, high quality ball valve solution for 1000 psi systems.



- 1000 psi MAWP for Water, Oil and Gas (WOG).
- Designed for temperature -20 to 400°F [-29 to 204°C].
- All stainless steel construction.
- NACE MR0175 Compliant.
- CRN approval for all Canadian Provinces.
- Low friction seals for low actuation torque.
- Standard actuation and panel mounting provisions provided.
- Fire safe versions available.
- Meets API 6D and API 598 pressure tests.
- Standard Double Acting & Spring Return Actuators.

Valve Cutaway View & Service Parts BOM

BVLS Index	Qty	SERVICE PARTS BOM Description
1	1	Ball
2	2	Ball Seal
3	1	Actuator
4	1	Actuator Bracket
5	1	End Connection
6	1	End Connection O-Ring
7	1	External Glide Washer
8	1	Valve Spindle
9	1	Internal Thrust Washer
10	1	Spindle O-Ring
11	4	Actuator Hardware
12	4	Valve Hardware
13	1	Valve Body
14	1	Actuator Shaft



BVLS ACTUATED

Ordering Codes Summary

BVLS ** ** S 2 2 2 3**

Actuator Callout	
Code	Description
DA	Double Acting
SR	Spring Return (closed)

Size Codes	
Code	Port Size
0250	¼"
0375	⅜"
0500	½"
0750	¾"
1000	1"
1250	1¼"
1500	1½"
2000	2"

Connection Types	
Imperial Threads	
Code	Description
S	SAE ORB
N	NPT
Metric Threads	
B	BSPP

Body Material	
Code	Description
2	316 Stainless

Ball & Spindle Mat'l	
Code	Description
2	316 Stainless

Seals, Bushings, Washers	
Code	Description
2	PTFE Teflon™ - ¼" - ¾" Standard
7	Glass filled PTFE - 1" - 1½" Standard
D	Devlon - 2" Standard

O-Ring Material	
Code	Description
3	Viton™ (Standard)

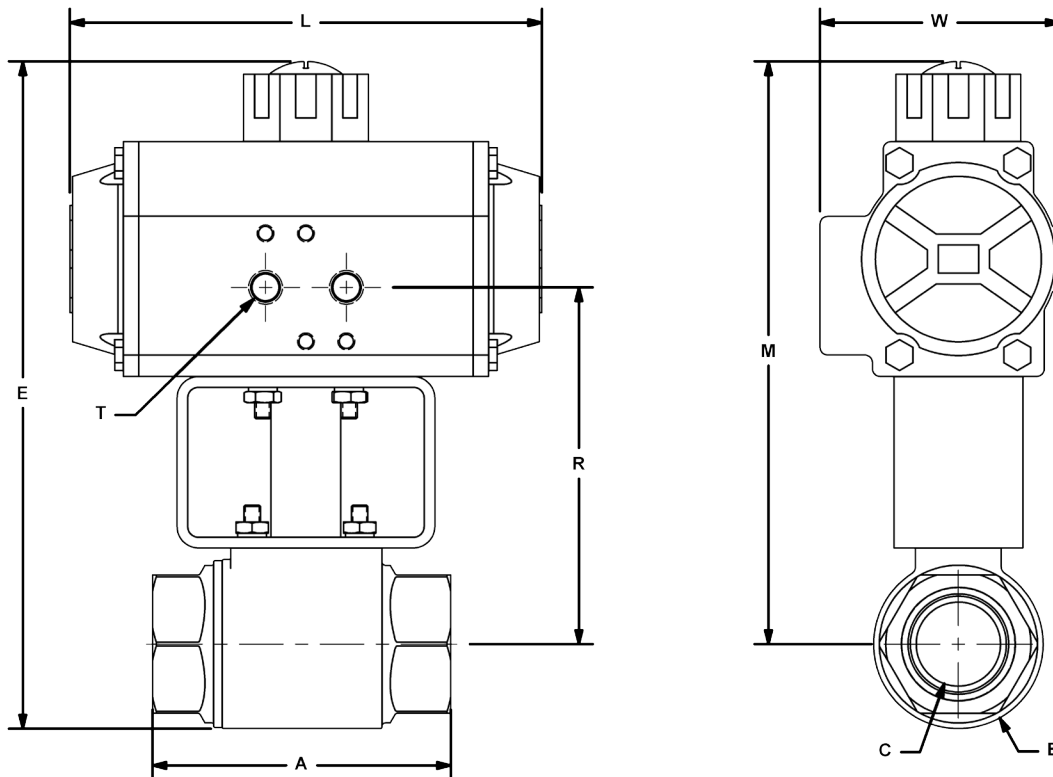
Note: Changes from Standard Materials may result in changes to temperature and/or pressure rating. Due to our policy of continual product improvement, the specifications in this catalog may change without notice. When designing by spec, please request a certified print.



BVLS ACTUATED

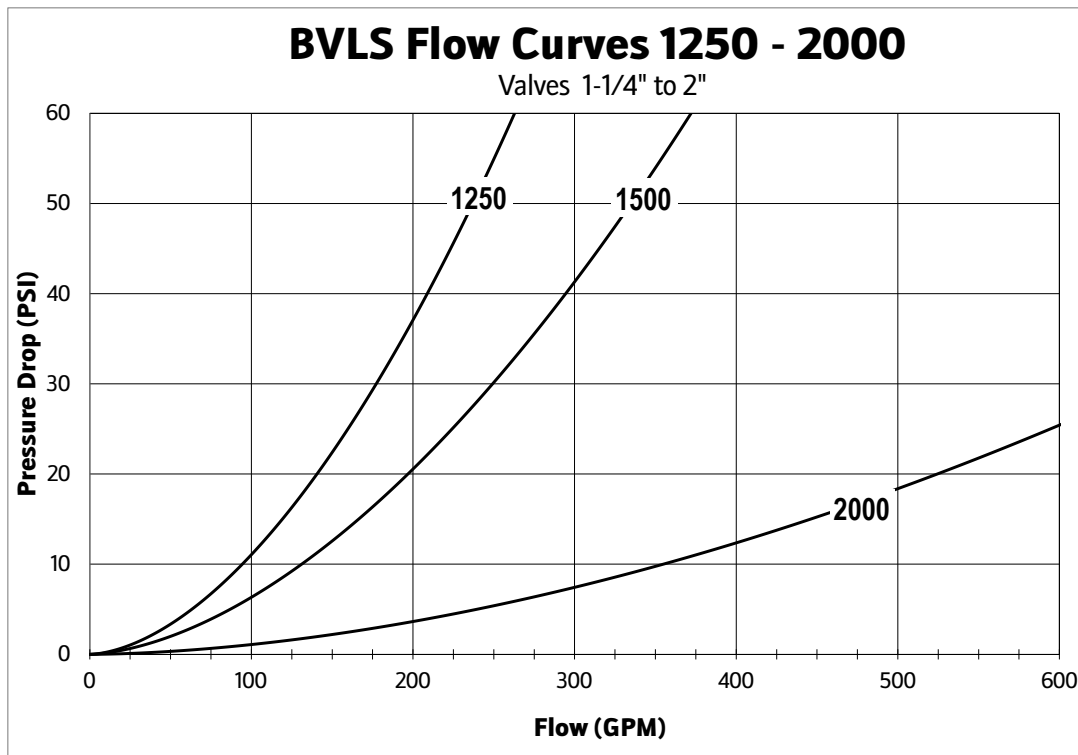
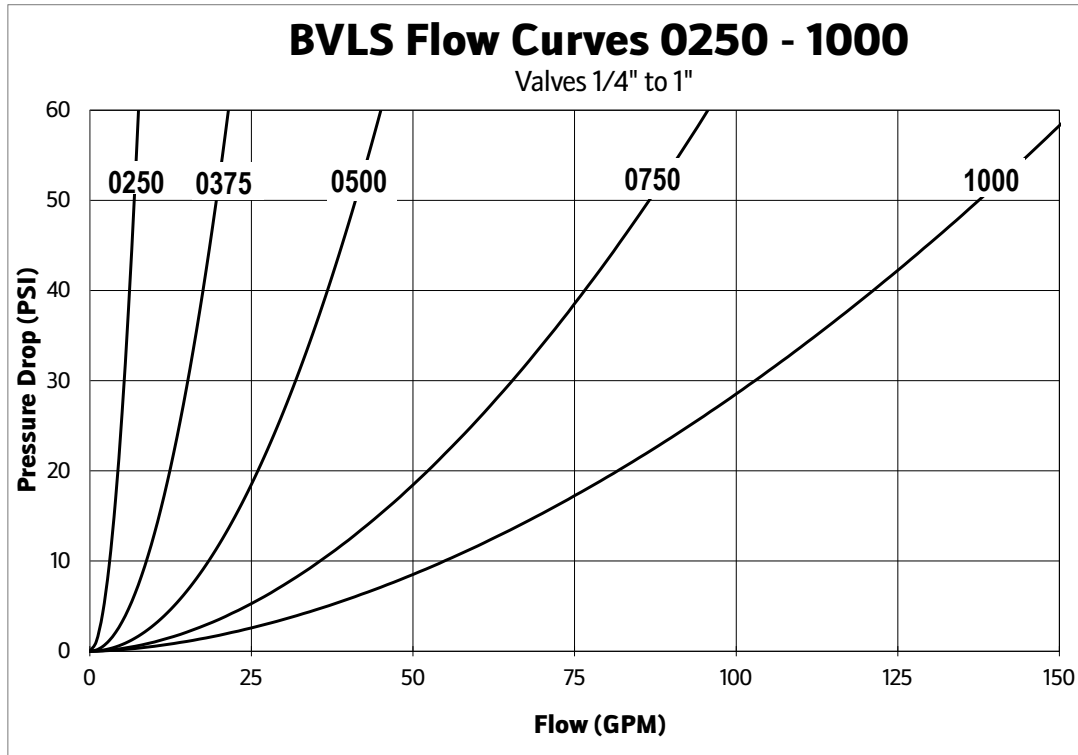
BVLS Double Acting Actuator	Port Size	Dimensions									Max Actuator Torque @ 90 PSI Air in-lbs
		A Length	B Valve Body O.D.	C Bore DIA	E Overall Height	L Actuator Length	M Line Center To Top	R Line Center To Air	T Air	W Actuator Width	
BVLSDA0250	¼"	2.63	1.40	0.43	6.28	4.65	5.58	3.28	⅝" NPT	1.78	82
BVLSDA0375	⅜"	2.63	1.40	0.50	6.28	4.65	5.58	3.28	⅝" NPT	1.78	82
BVLSDA0500	½"	2.63	1.40	0.55	6.28	4.65	5.58	3.28	⅝" NPT	1.78	82
BVLSDA0750	¾"	3.27	1.71	0.75	6.56	4.65	5.70	3.41	⅝" NPT	1.78	82
BVLSDA1000	1"	3.47	1.97	0.98	6.81	4.65	5.83	3.53	⅝" NPT	1.78	82
BVLSDA1250	1¼"	3.90	2.65	1.25	8.90	6.38	7.58	4.56	⅝" NPT	3.17	363
BVLSDA1500	1½"	4.32	3.23	1.50	9.43	6.38	7.82	4.79	⅝" NPT	3.17	363
BVLSDA2000	2"	4.90	3.84	1.97	11.14	9.35	9.21	5.66	⅝" NPT	4.17	962

BVLS Spring Return Actuator	Port Size	Dimensions									Max Actuator Torque @ 90 PSI Air in-lbs
		A Length	B Valve Body O.D.	C Bore DIA	E Overall Height	L Actuator Length	M Line Center To Top	R Line Center To Air	T Air	W Actuator Width	
BVLSSR0250	¼"	2.63	1.40	0.43	7.25	5.49	6.55	3.90	⅝" NPT	2.79	150
BVLSSR0375	⅜"	2.63	1.40	0.50	7.25	5.49	6.55	3.90	⅝" NPT	2.79	150
BVLSSR0500	½"	2.63	1.40	0.55	7.25	5.49	6.55	3.90	⅝" NPT	2.79	150
BVLSSR0750	¾"	3.27	1.71	0.75	7.53	5.49	6.68	4.03	⅝" NPT	2.79	150
BVLSSR1000	1"	3.47	1.97	0.98	7.78	5.49	6.80	4.16	⅝" NPT	2.79	150
BVLSSR1250	1¼"	3.90	2.65	1.25	9.55	6.38	8.23	4.85	⅝" NPT	3.72	473
BVLSSR1500	1½"	4.32	3.23	1.50	10.08	8.15	8.47	5.09	⅝" NPT	3.72	473
BVLSSR2000	2"	4.90	3.84	1.97	11.65	10.69	9.72	5.98	¼" NPT	4.85	1075



BVLS ACTUATED

Flow Characteristic and Actuation Torque Curves



Due to our policy of continual product improvement, the specifications in this catalog may change without notice. When designing by spec, please request a certified print.

