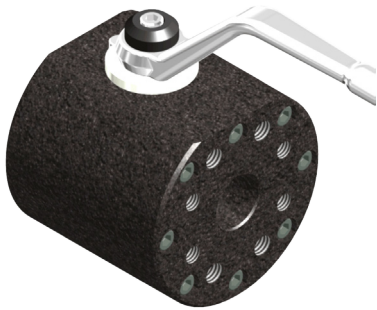


BVSS DUAL PATTERN SAE 4-BOLT BV, C.61 & 62

Replaces expensive and long-delivery foreign valves
6000 PSI ~ Sizes from ½" to 2"



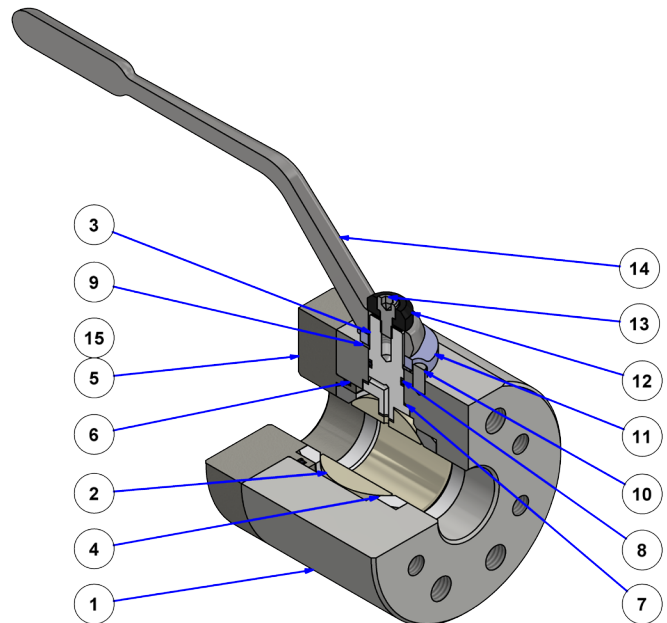
DMIC **BVSS** economically covers all the bases in SAE 4-Bolt C.61 & 62 Flange connections. This is the valve to stock if you can only keep one model, and it can bridge dissimilar flange standards.

- **Spindle-Glide Design** features low torque, high duty cycle durability
- **Delrin™ Ball Seals** and Buna-N standard elastomer seals, with all DMIC sealing options available for wide fluid and temperature compatibility range
- **Unrestricted bore ball** reduces pressure drop
- **Available in Stainless Steel - Fast Delivery**

Service Parts BOM

| BVSS | SERVICE PARTS BOM | |
|-------|-------------------|--------------------------|
| Index | Qty | Description |
| 1 | 1 | Valve Body |
| 2 | 1 | Ball |
| 3 | 1 | Spindle |
| 4 | 2 | Ball Seal |
| 5 | 1 | End Connection |
| 6 | 1 | End Connection O-Ring(s) |
| 7 | 1 | Internal Thrust Washer |
| 8 | 1 | Spindle O-Ring(s) |
| 9 | 1 | External Glide Washer |
| 10 | 1 | Stop Pin |
| 11 | 1 | Stop Washer |
| 12 | 1 | Color Code Cap |
| 13 | 1 | Handle Screw |
| 14 | 1 | Handle |
| 15 | 9* | End Connection Screws |

*Quantity depends on size and configuration



BVSS DUAL PATTERN SAE 4-BOLT BV, C.61 & 62

See page 14 for
accessory codes

| Valve Series | |
|--------------|------------------|
| Code | Port Size |
| BVSS | SAE Dual C.61/62 |

BVSS

20

FK

1

1

1

1

A

Z

Z

A

| Size | |
|------|-----------|
| Code | Port Size |
| 05 | ½" |
| 07 | ¾" |
| 10 | 1" |
| 12 | 1¼" |
| 15 | 1½" |
| 20 | 2" |

Call Factory for
larger sizes 18"+

| Connection Type | |
|-----------------|-------------------------------------|
| Code | Description |
| FK | Dual SAE C.61/62 (Standard on BVSS) |

| Body Material | |
|---------------|-----------------|
| Code | Description |
| 1 | Carbon Steel |
| 2 | Stainless Steel |

| Ball & Spindle Mat'l | |
|----------------------|---|
| Code | Description |
| 1 | Carbon Steel |
| 2 | Stainless Steel |
| 6 | 416 Stainless Spindle 316 Stainless Ball |

| Ball Seal Material | |
|--------------------|--------------------------------|
| Code | Description |
| 1 | Delrin™ |
| 2 | PTFE Teflon™ (1500 PSI MAX) |
| 4 | High Temp PEEK |
| 6 | Delrin™ AF (low Friction) |
| 7 | Glass Reinforced Teflon™ |

| O-Ring Seals | |
|--------------|-------------|
| Code | Description |
| 1 | Buna-N |
| 2 | EPR |
| 3 | Viton™ |
| 4 | Teflon™ |
| 5 | Chemraz™ |

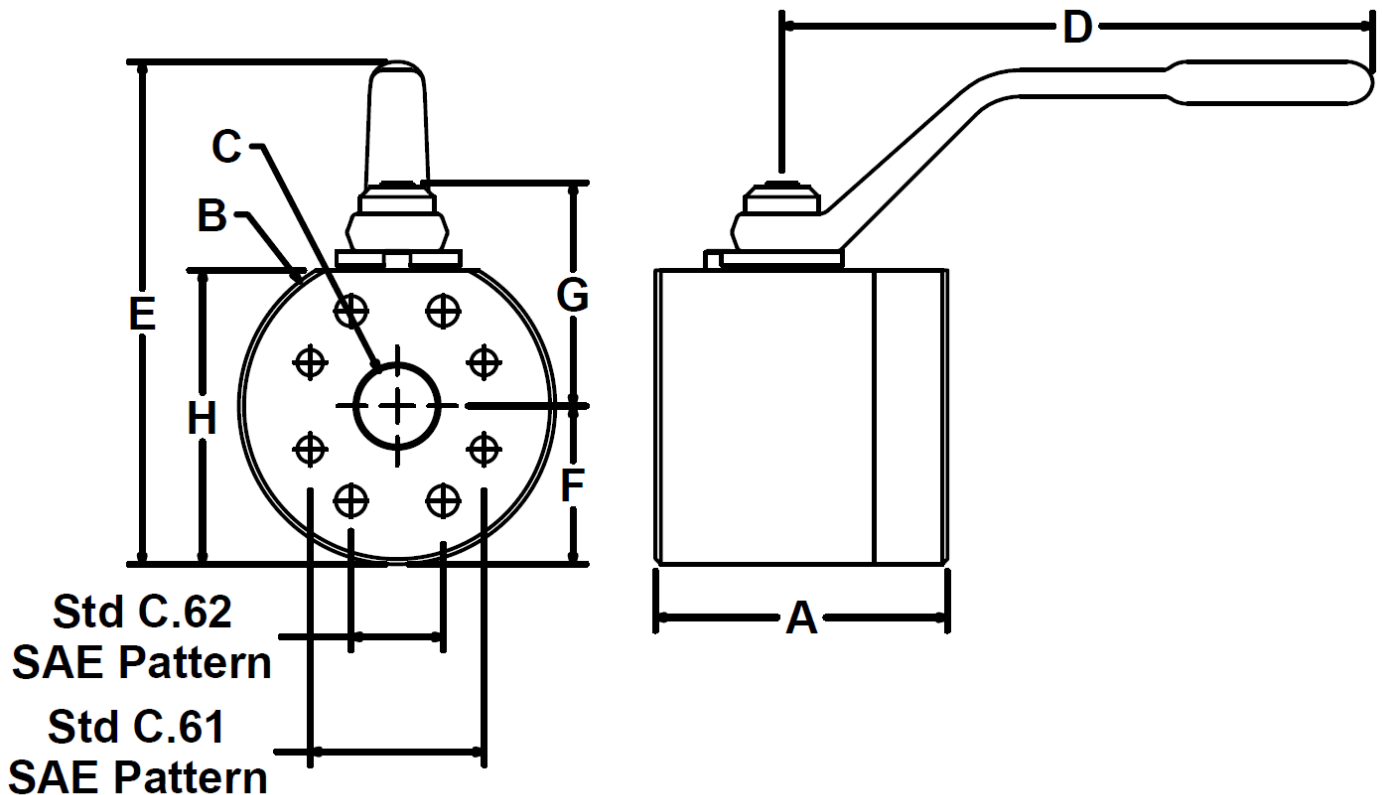
Note: Changes from Standard Materials may result in changes to temperature and/or pressure rating.

Due to our policy of continual product improvement, the specifications in this catalog may change without notice. When designing by spec, please request a certified print.



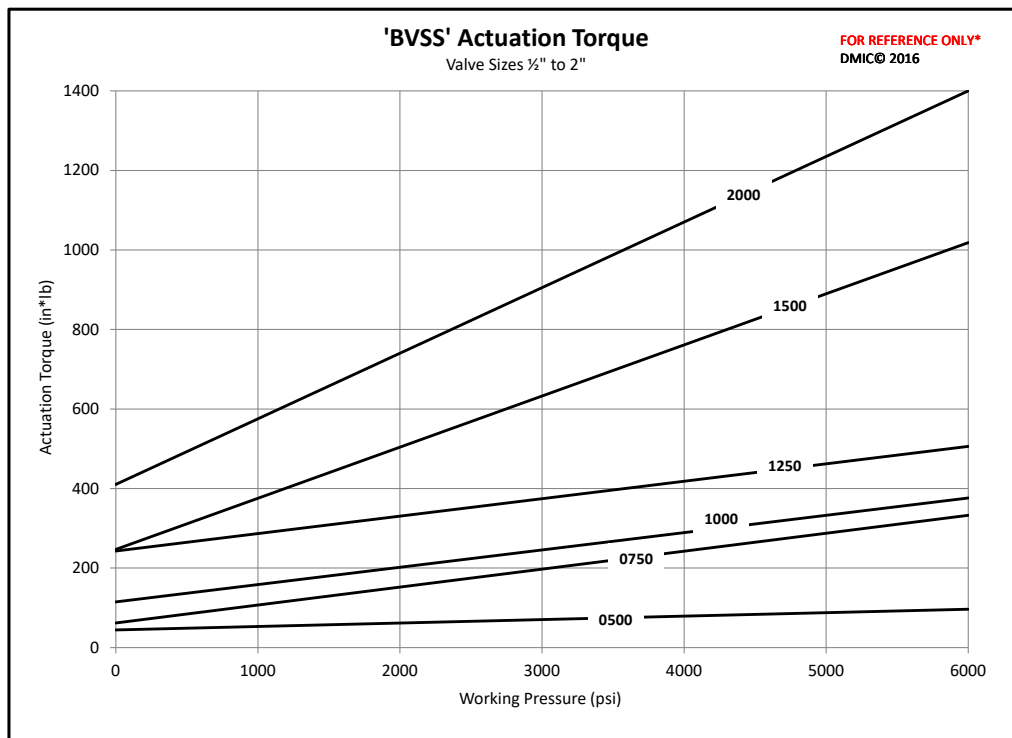
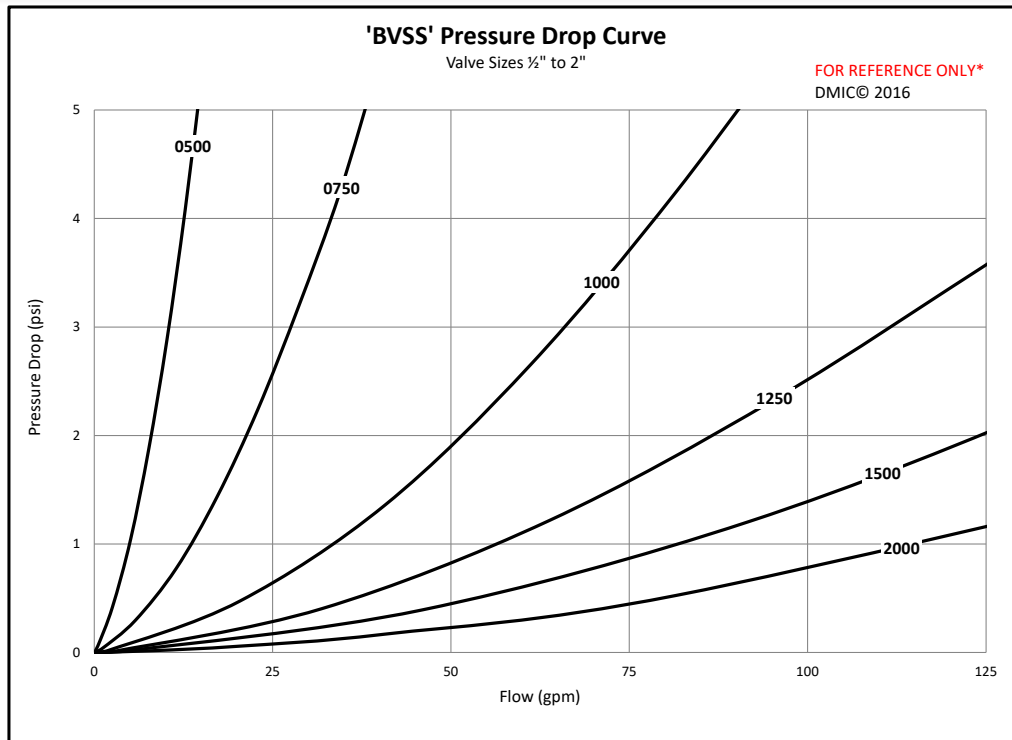
BVSS DUAL PATTERN SAE 4-BOLT BV, C.61 & 62

| BVSS | Dimensions (inches) | | | | | | | | | | |
|---------------|---------------------|-----------------|-----------------|-------------------|------------------|------------------|--------------------|---------------------|---------------------|---------------------|-------------------|
| | Port Size | PSI Rating C.61 | PSI Rating C.62 | A Valve Length | B Valve Width | Øc Valve Bore | D Handle Length | E Overall Height | F Bot to PortCtr | G PortCtr to Top | H Valve Height |
| BVSS-05FK**** | ½" | 5000 | 6000 | 2.30 | 2.75 | 0.50 | 4.50 | 4.15 | 1.38 | 1.94 | 2.53 |
| BVSS-07FK**** | ¾" | | | 3.15 | 3.50 | 0.75 | 7.00 | 5.73 | 1.75 | 2.55 | 3.26 |
| BVSS-10FK**** | 1" | | | 3.46 | 3.75 | 0.94 | 7.00 | 5.96 | 1.88 | 2.65 | 3.48 |
| BVSS-12FK**** | 1¼" | 4000 | | 3.94 | 4.44 | 1.25 | 9.86 | 7.38 | 2.22 | 3.29 | 4.18 |
| BVSS-15FK**** | 1½" | | | 4.48 | 5.00 | 1.50 | 9.86 | 7.96 | 2.50 | 3.59 | 4.77 |
| BVSS-20FK**** | 2" | 3000 | | 4.57 | 6.00 | 1.88 | 9.86 | 8.79 | 3.00 | 3.92 | 5.60 |



BVSS DUAL PATTERN SAE 4-BOLT BV, C.61 & 62

Flow Characteristic and Actuation Torque Curves



Due to our policy of continual product improvement, the specifications in this catalog may change without notice. When designing by spec, please request a certified print.

