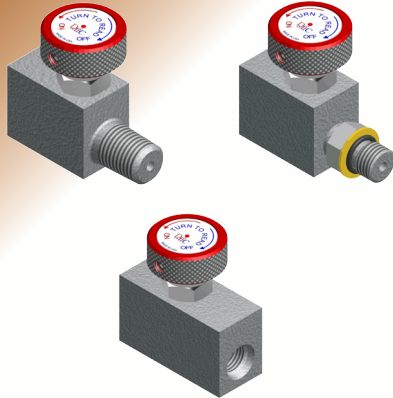


# 'DMGV' GAUGE VALVE/SNUBBER

## Models for 3000 PSI & 10000 PSI

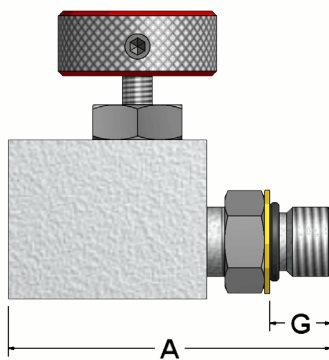


The 'DMGV' Gauge Valve is a simple, inexpensive "Turn to Read" on-off isolator valve.

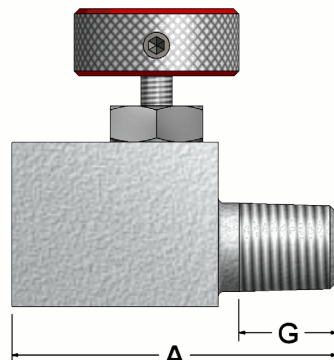
This design uses no drain line, therefore the system pressure must be released with 'DMGV' in the "ON" position to clear gauge reading

- ¼" NPT/SAE/BSP Thread
- Saves time and cost compared to a needle valve
- Built-in snubber

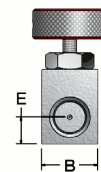
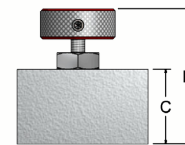
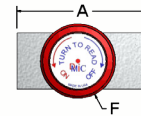
## Dimension Views



DMGV-SMS



DMGV-NMN



DMGV-S

DMGV	Dimensions (inches)						
	A Overall Length	B Body Width	C Body Height	D Overall Height	E Bottom To Port Center	F Knob O.D.	G Thread Engagement
DMGV-N(4/1)	1.75	0.75	1.00	1.81	0.36	1.00	--
DMGV-S(4/1)							
DMGV-SMS(4/1)	2.03	0.75	1.00	1.81	0.36	1.00	0.39
DMGV-NMN(4/1)	1.97	0.75	1.00	1.81	0.36	1.00	0.60

DMGV - S MS 4 1

Gauge Side	
Code	Description
S	¼" SAE
N	¼" NPT

System Side	
Code	Description
MS	¼" Male SAE
MN	¼" Male NPT

Material	
Code	Description
1	Steel 10,000 PSI
2	Stainless 10,000 PSI
4	Aluminum 3,000 PSI

Sealing	
Code	Description
1	Buna-N
2	EPR
3	Viton

