

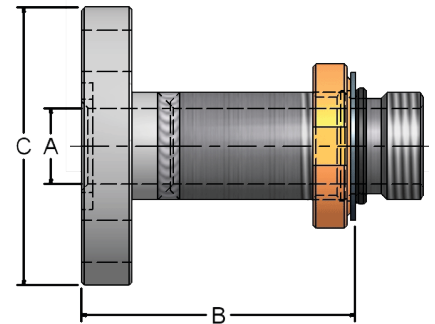
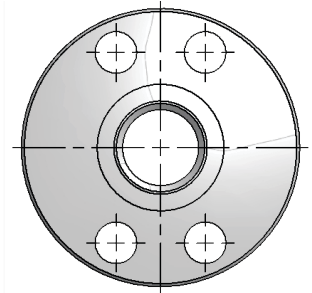
FMM SAE 4B STANDARD TO THREAD

Convert low pressure SAE/ISO/BSP thrd to SAE 4-Bolt standard pad



The **FMM** standard flange is adapted from the **FMC** (page 20), but features through bolt-holes and O-Ring groove for a "standard" flange configuration.

- Compatible with UNC and metric bolts
- Fast and economical conversion to SAE 4-Bolt standard flange
- Reliable mechanical base for your SAE C.61 Split Flange terminated pipe or hose
- Swivel permits proper bolt hole orientation
- Made in U.S.A.
- Suction to 400 PSI



FMM		C.61 4B Standard to Thread, Inline				
Part Number		Port Size	Dimensions IN			
SAE	ISO-6149		A	B	C	Lbs
FMM-07FL-07S	FMM-07FL-07IU	¾"	0.75	2.71	2.75	1.10
FMM-10FL-10S	FMM-10FL-10IU	1"	1.00	2.71	3.00	1.40
FMM-12FL-12S	FMM-12FL-12IU	1½"	1.25	2.83	3.38	1.80
FMM-15FL-15S	FMM-15FL-15IU	1½"	1.50	2.80	3.75	2.30
FMM-20FL-20S	FMM-20FL-20IU	2"	2.00	3.08	4.25	3.30
FMM-25FL-25S	FMM-25FL-25IU	2½"	2.50	3.26	4.75	4.70
FMM-30FL-30S	FMM-30FL-30IU	3"	3.00	3.84	5.75	6.70
FMM-40FL-40S	FMM-40FL-40IU	4"	4.00	3.84	7.00	9.00

Ordering Codes

FMM - ****** **FL** - ****** **S** - **1** **1**

First Size Code	
Code	Port Size
07	¾"
10	1"
12	1½"
15	1½"
20	2"
25	2½"
30	3"
40	4"
50	5" - Call
60	6" - Call

Split Flange Side	
Code	Description
FL	C.61 4B Std. Universal
AA	ANSI 150 #

Choose Adapter Size
Replace ** with the desired adapter size.

Two different size codes selects step size option.

Second Size Code	
Code	Port Size
07	¾"
10	1"
12	1½"
15	1½"
20	2"
25	2½"
30	3"
40	4"
50	5" - Call
60	6" - Call

Thread Side	
Code	Description
S	SAE ORB (Standard)
IU	ISO6149
B	BSPP

Universal Bolt Holes

The SAE 4-Bolt standard pad is drilled nominally oversize to permit the use of UNC or Metric bolts.

Alternate Thread Standard

Replace the "S" SAE ORB standard thread connection with a choice from the "Thread Side" table. Please call to confirm price and availability.

O-Ring Elastomer	
Code	Description
1	Buna-N (standard)
2	Ethylene Propylene "EPR"
3	Viton

Adapter Material	
Code	Description
1	Low Carbon Steel
2	Stainless Steel

Due to our policy of continual product improvement, the specifications in this catalog may change without notice. When designing by spec, please request a certified print.

