

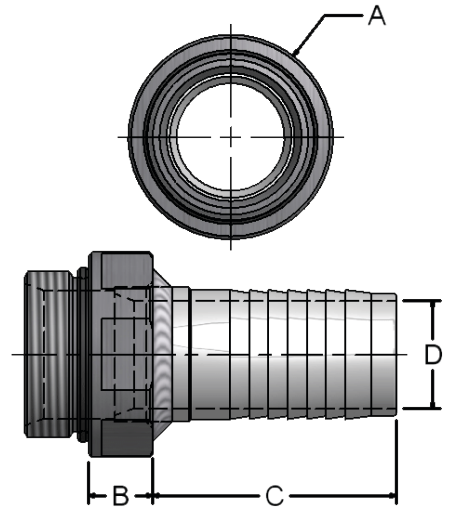
HBL BARB TO THREAD

Terminate to hose with this O-Ring sealed "staple" adapter



DMIC's **HBL** continues an O-ring sealed pipe run onto a U.S. or metric ID hose. Typically used for a segment from shutoff valve to pump inlet.

- Eliminates classic leakage point of "plumbing" NPT hose barbs, reduces cavitation worries
- Compatibility with SAE and ISO extended size ranges allow end-to-end O-Ring seal to 6" size
- Rapid delivery of stepsize barbs, designers can maintain nominal ID even along hose segments
- Rapid delivery of valves & adapters up to 4" size
- Suction to 400 PSI



HBL		Hose Barb to SAE/ISO/BSP Thread Inline					
Part Number		Port Size	Dimensions IN				Lbs
SAE	ISO-6149		A	B	C	D	
HBL-07HB-07S	HBL-07HB-07IU	¾"	1.38	0.63	1.82	0.63	0.40
HBL-10HB-10S	HBL-10HB-10IU	1"	1.76	0.63	1.81	0.88	0.50
HBL-12HB-12S	HBL-12HB-12IU	1¼"	2.00	0.63	2.38	1.05	0.70
HBL-15HB-15S	HBL-15HB-15IU	1½"	2.25	0.63	2.38	1.29	0.90
HBL-20HB-20S	HBL-20HB-20IU	2"	2.75	0.63	2.82	1.75	1.40
HBL-25HB-25S	HBL-25HB-25IU	2½"	3.38	0.63	3.38	2.25	2.00
HBL-30HB-30S	HBL-30HB-30IU	3"	4.00	0.75	3.88	2.75	3.00
HBL-40HB-40S	HBL-40HB-40IU	4"	5.00	0.75	4.38	3.75	4.20

Ordering Codes

HBL - ****** **HB** - ****** **S** - **11**

O-Ring Elastomer	
Code	Description
1	Buna-N (standard)
2	Ethylene Propylene "EPR"
3	Viton

First Size Code	
Code	Port Size
07	¾"
10	1"
12	1¼"
15	1½"
20	2"
25	2½"
30	3"
40	4"
50	5" - Call
60	6" - Call

Hose Barb Side	
Code	Description
HB	Inch Barb (Standard)
HM	Metric Barb

Choose Adapter Size

Replace ** with the desired adapter size.

Two different size codes selects step size option.

Second Size Code	
Code	Port Size
07	¾"
10	1"
12	1¼"
15	1½"
20	2"
25	2½"
30	3"
40	4"
50	5" - Call
60	6" - Call

Thread Side	
Code	Description
S	SAE ORB (Standard)
IU	ISO6149
B	BSP

Adapter Material	
Code	Description
1	Low Carbon Steel
2	Stainless Steel

Alternate Hose Barb Connection Standard

Replace the "HB" inch-barb connection (U.S.A.) with metric barb for export. Please call to confirm price and availability.

Alternate Thread Standard

Replace the "S" SAE ORB standard thread connection with a choice from the "Thread Side" table. Please call to confirm price and availability.

Due to our policy of continual product improvement, the specifications in this catalog may change without notice. When designing by spec, please request a certified print.

