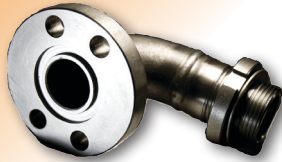


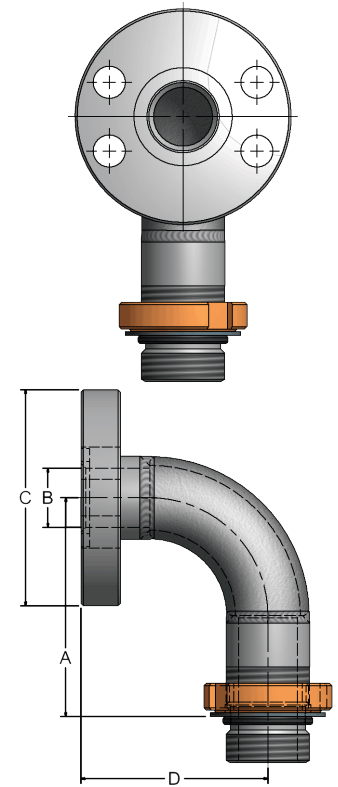
SFE SAE 4B STANDARD TO THREAD 90°

Convert low pressure SAE/ISO/BSP thrd to SAE 4-Bolt standard pad



The **SFE** converts standard/extended threaded ports to SAE 4-Bolt Standard connection with properly radiused 90 degree bend, aiding laminar flow through the fluid direction change. Available in Stainless Steel.

- Fast and economical conversion to SAE 4-Bolt standard, fits UNC (imperial) and Metric Bolts
- Reliable mechanical base for your SAE C.61 Split Flange terminated pipe or hose
- Swivel permits proper adapter orientation
- Suction to 400 PSI



SFE		C.61 4B Standard to SAE/ISO/BSP Thread 90°					
Part Number		Port Size	Dimensions IN				Lbs
SAE	ISO-6149		A	B	C	D	
SFE-07FL-07S	SFE-07FL-07IU	¾"	2.79	0.75	2.75	2.38	1.30
SFE-10FL-10S	SFE-10FL-10IU	1"	2.78	1.00	3.00	2.38	1.70
SFE-12FL-12S	SFE-12FL-12IU	1½"	3.28	1.25	3.38	2.76	2.30
SFE-15FL-15S	SFE-15FL-15IU	1½"	3.65	1.50	3.75	3.13	2.80
SFE-20FL-20S	SFE-20FL-20IU	2"	4.40	2.00	4.25	3.88	4.50
SFE-25FL-25S	SFE-25FL-25IU	2½"	5.21	2.50	4.75	4.75	7.40
SFE-30FL-30S	SFE-30FL-30IU	3"	6.15	3.00	5.75	5.50	11.40
SFE-40FL-40S	SFE-40FL-40IU	4"	7.65	4.00	7.00	7.00	17.60

Ordering Codes

SFE - ****** **FL** - ****** **S** - **1** **1**

First Size Code	
Code	Port Size
07	¾"
10	1"
12	1½"
15	1½"
20	2"
25	2½"
30	3"
40	4"
50	5" - Call
60	6" - Call

Split Flange Side	
Code	Description
FL	C.61 4B Std. Universal
AA	ANSI 150 #

Choose Adapter Size

Replace ** with the desired adapter size.

Two different size codes selects step size option.

Second Size Code	
Code	Port Size
07	¾"
10	1"
12	1½"
15	1½"
20	2"
25	2½"
30	3"
40	4"
50	5" - Call
60	6" - Call

Thread Side	
Code	Description
S	SAE ORB (Standard)
IU	ISO6149
B	BSPP

Universal Bolt Holes

The SAE 4-Bolt standard pad is drilled nominally oversize to permit the use of UNC or Metric bolts.

Alternate Thread Standard

Replace the "S" SAE ORB standard thread connection with a choice from the "Thread Side" table. Please call to confirm price and availability.

O-Ring Elastomer	
Code	Description
1	Buna-N (standard)
2	Ethylene Propylene "EPR"
3	Viton

Adapter Material	
Code	Description
1	Low Carbon Steel
2	Stainless Steel

Due to our policy of continual product improvement, the specifications in this catalog may change without notice. When designing by spec, please request a certified print.

