

SV2C & SV3C

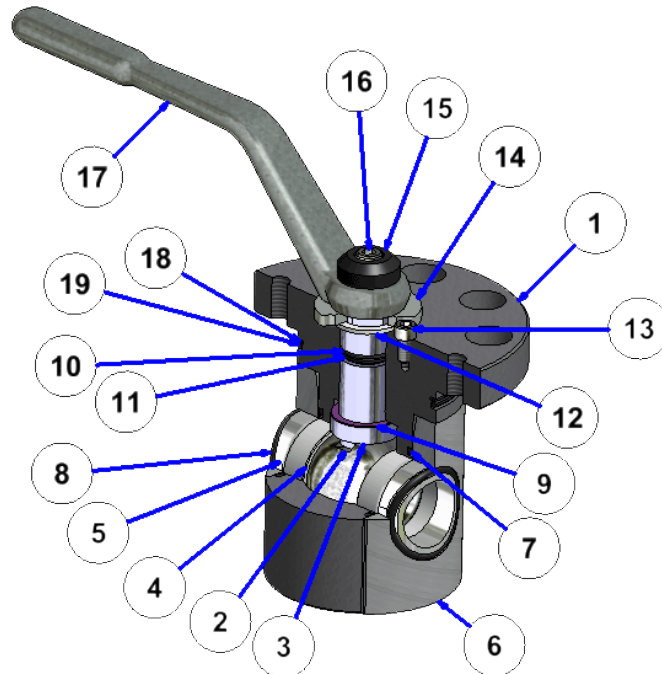
2-Way and 3-Way Intramanifold Valves



- Install this DMIC high quality valve directly into your existing or production manifold using an easy-to-machine blind hole cavity.
- DMIC's ingenious design is easy to install, eliminating the possibility of cutting o-rings on cross holes.
- Completely compatible with DMIC's full range of accessories.
- Available in sizes ranging from ½" through 2" with pressure ratings up to 6000 PSI
- Construction available in carbon or stainless steel with full line of seal and elastomer materials.
- Larger sizes available upon request.

Standard size range of ½" through 2", with larger custom sizes available!

SVxC	SERVICE PARTS BOM	
Index	Qty	Description
1	1	Valve Body
2	1	Ball
3	1	Spindle
4	2	Inner Ball Seal
5	2	Outer Ball Seal
6	2	Outer Bushing
7	2	Inner Bushing O-Ring
8	2	Outer Bushing O-Ring
9	1	Internal Thrust Washer
10	1	Spindle Backup Ring
11	1	Spindle O-Ring
12	1	External Glide Washer
13	1	Stop Pin
14	1	Stop Washer
15	1	Color Coded Cap
16	1	Top Cap Screw
17	1	Handle
18	1	Body Back-Up Ring
19	1	Body O-Ring



Due to our policy of continual product improvement, the specifications in this catalog may change without notice. When designing by spec, please request a certified print.



Intramanifold Valve Order Codes

See page 14 for accessory codes

SV2C

or

SV3C

Size Codes	
Code	Port Size
0500	½"
0750	¾"
1000	1"
1250	1¼"
1500	1½"
2000	2"

**** A 1 1 1 1 * * * * *

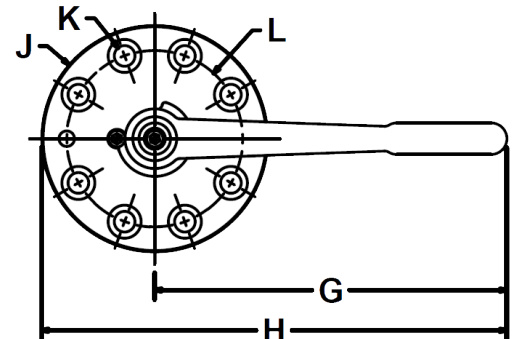
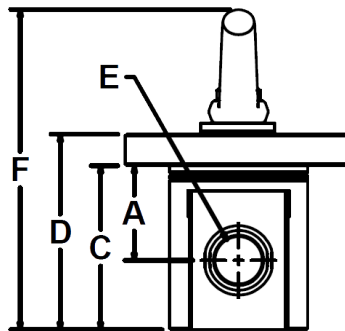
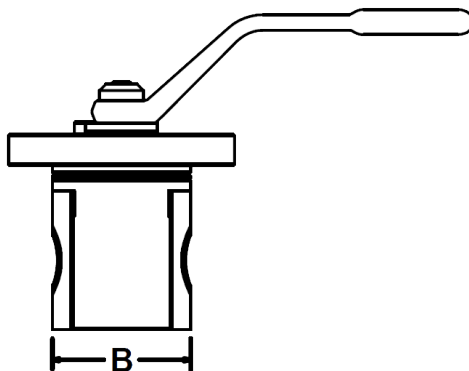
Ball Pattern	
	SV2C
	Not Needed
	SV3C
A	90° L-Bore Diverter, Port Overlap
B	L - No Overlap -Bore 180° Action

Body Material	
Code	Description
1	Carbon Steel
2	316 Stainless Steel

O-Ring Material	
Code	Description
1	Buna-N
2	EPR
3	Viton™
4	Teflon™
5	Chemraz™
6	Kalrez
7	Buna-3716 (Low Temp)

Ball Seal Material	
Code	Description
1	Delrin™
2	PTFE Teflon™ (1500 PSI MAX)
4	High Temp Peek
6	Delrin™ AF (Low Friction)
7	Glass Reinforced Teflon™

Ball & Spindle Mat'l	
Code	Description
1	Carbon Steel
2	316 Stainless Steel
6	416 Spindle 316 Ball



SV*C	Port Size	PSI Rating	Dimensions (inches)											
			A	B	C	D	E	E	F	G	H	J	K	L
			Port to Locating Shoulder	Insert Diameter	Insert Length	Cage Height	Thru Port SV2C	Thru Port SV3C	Overall Height	Handle	Overall Length	Shoulder Diameter	Hole Size	Bolt Circle
SV*C-0500****	½"	6000 PSI	1.38	2.00	2.38	3.00	0.38	0.44	4.62	4.50	6.25	3.50	0.41	2.750
SV*C-0750****	¾"		1.79	2.50	3.04	3.66	0.75	0.69	6.14	7.00	9.00	4.00	0.41	3.125
SV*C-1000****	1"		1.88	2.75	3.25	3.88	0.94	0.88	6.35	7.00	9.25	4.50	0.41	3.500
SV*C-1250****	1¼"		2.00	3.25	3.50	4.38	1.25	1.13	7.57	9.86	12.36	5.00	0.53	4.125
SV*C-1500****	1½"		2.68	4.50	4.88	6.00	1.50	1.50	9.19	9.86	13.36	7.00	0.66	5.500
SV*C-2000****	2"		2.92	5.75	5.04	6.40	2.00	1.75	9.59	9.86	14.11	8.50	0.78	7.000

Note: Changes to Standard Materials may result in changes to temperature and/or pressure rating.

Due to our policy of continual product improvement, the specifications in this catalog may change without notice. When designing by spec, please request a certified print.



www.dmic.com
DMIC BALL VALVES CATALOG
COPYRIGHT ©2016 DELAWARE MFG.

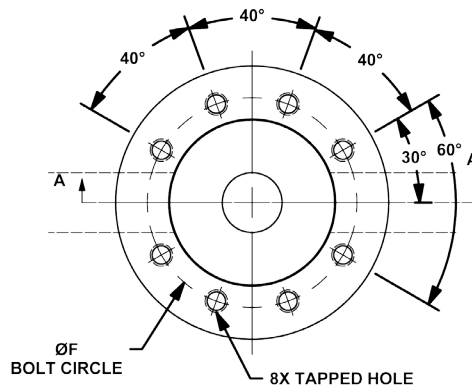
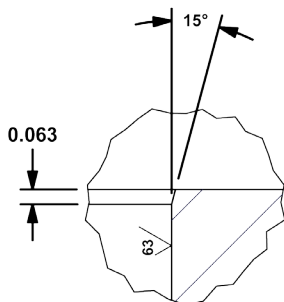
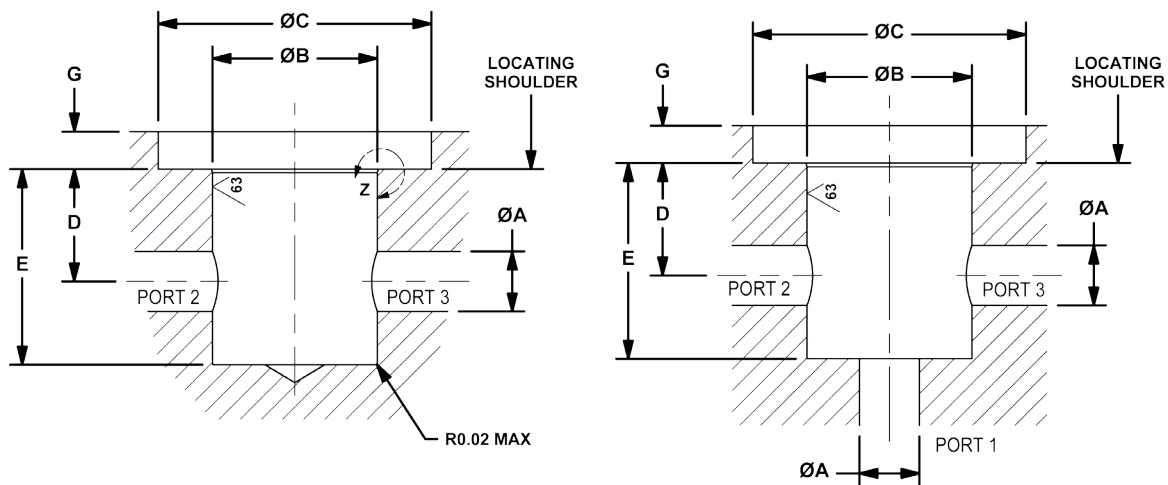
DBV-1704A
PAGE 95

CALL TOLL FREE 1-800-248-3642
IN CANADA 1-800-320-3642



SV2C & SV3C

Insert Valves	Port Size	PSI Rating	Cavity Dimensions (inches)								
			A	B	C	D	E	F	G	-	H
			Valve Bore (±0.010)	Cavity Bore (+0.003 /-0.000)	Shoulder Diameter (+0.015 /-0.000)	Cntr of Bore to Btm of Shoulder (±0.005)	Cavity Depth (+0.000 /-0.015)	Bolt Circle (±0.010)	Shoulder Depth (±0.005)	Mounting Bolts (8x)	Min tap depth
SV2C-0500****	½"	6000 PSI	0.500	2.003	3.560	1.375	2.390	2.750	0.625	¾-16UNC	0.630
SV3C-0500****											
SV2C-0750****	¾"		0.750	2.503	4.060	1.786	3.051	3.125	0.625	¾-16UNC	0.630
SV3C-0750****											
SV2C-1000****	1"		1.000	2.753	4.560	1.875	3.265	3.500	0.625	¾-16UNC	0.630
SV3C-1000****											
SV2C-1250****	1¼"		1.250	3.253	5.060	2.000	3.515	4.125	0.875	½-13UNC	1.000
SV3C-1250****											
SV2C-1500****	1½"		1.500	4.503	7.060	2.680	4.890	5.500	1.125	⅝-11UNC	1.250
SV3C-1500****											
SV2C-2000****	2"	2.000	5.753	8.560	2.915	5.055	7.000	1.375	¾-10UNC	1.500	
SV3C-2000****											



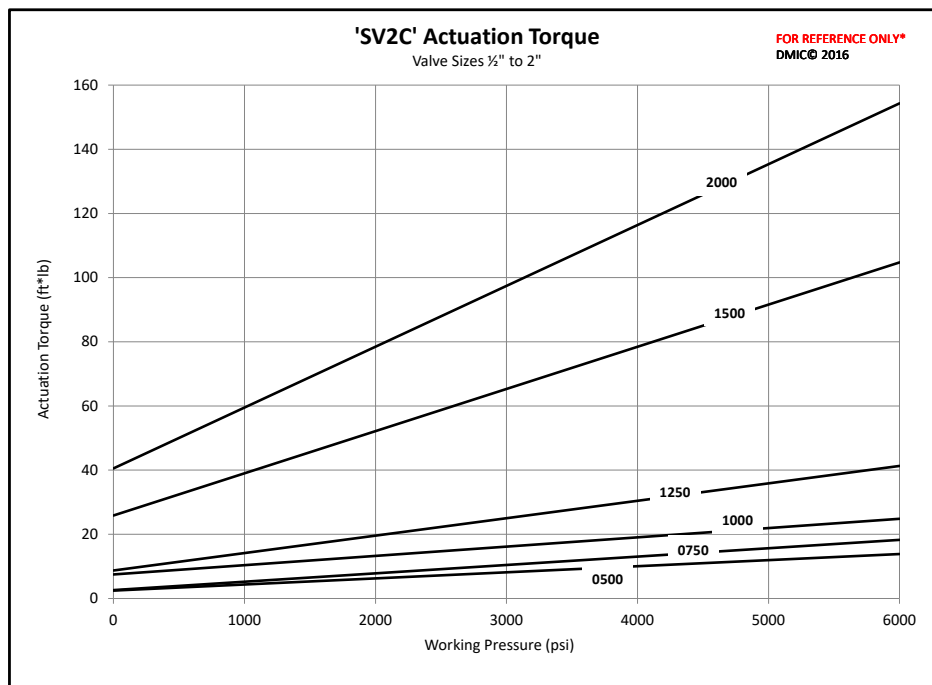
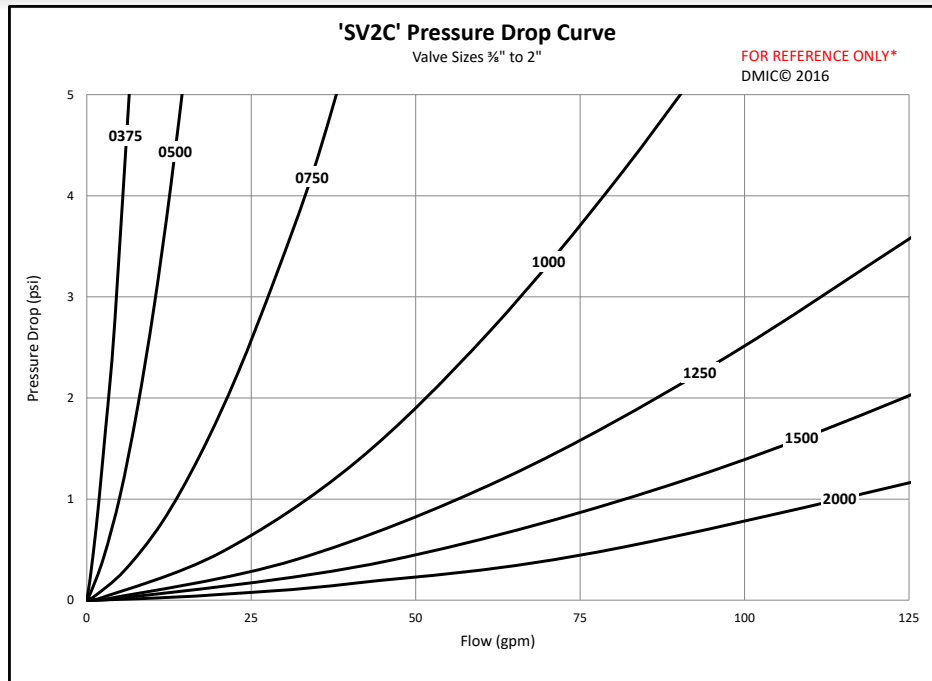
Machine Note:

- 'G' Depth x ØC to locating shoulder option for recessing valve cap.
- Port 1 is always the inlet, valve leakage will occur if ΔP into closed Port at 2 or 3.
- **H** - min tap depth



SV2C & SV3C

Flow Characteristic and Actuation Torque Curves



SV3C ISO SCHEMATIC

