

ASV ACCUMULATOR SAFETY VALVE

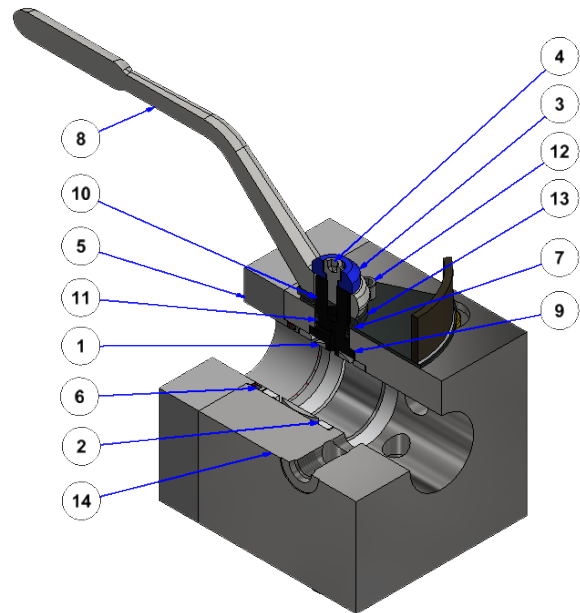
DMIC Accumulator Safety Valves are designed with all the standard features required to properly Isolate, drain and relieve hydraulic pressure stored in hydraulic accumulators. The assembly consists of a main isolation ball valve with handle for manual operation. The valve block includes industry standard size C08-2 cartridge valve cavities for drain valve, relief valve and optional solenoid drain valve. If Solenoid option is not required, the block is supplied with a cavity plug. Cartridge valves are not included and alternate cavity ports are available upon request.



- Standard designs for carbon steel rated up to 6000 psi. Stainless steel and aluminum valve bodies are also available as options.
- A wide array of connection types are available limiting the need for additional accumulator and pressure side adapter fittings. DMIC can also offer ASV valves with SAE J518 flange connections, consult factory for valve dimensions and availability.
- Manifold mounted options are available as special order. This includes multiple valve header manifolds and assemblies.
- Standard valves include drain port and gauge ports, SAE-6 O-Ring Boss. Other sizes available upon request.
- Temperature Range: -60°F to 400°F (Depending on Material Combinations)
- An extensive variety of additional accessories are available as with all DMIC valves including handle type, locks, limit switches etc. See DMIC Ball Valve Catalog for options.

Service Parts BOM

ASV Index	Qty	SERVICE PARTS BOM Description
1	1	Ball
2	2	Ball Seal
3	1	Color Code Cap
4	1	Color Code Cap Screw
5	1	End Connection
6	1	End Connection O-Ring
7	1	External Glide Washer
8	1	Handle
9	1	Internal Thrust Washer
10	1	Shaft
11	1	Shaft O-Ring
12	1	Stop Pin
13	1	Stop Washer
14	1	Valve Body



ASV ACCUMULATOR SAFETY VALVE

See page 14 for
accessory codes

ASV 2000 N 1 1 1 1 A Z Z A * *

Size	
Code	Port Size
0750	3/4"
1000	1"
1500	1 1/2"
2000	1 7/8"

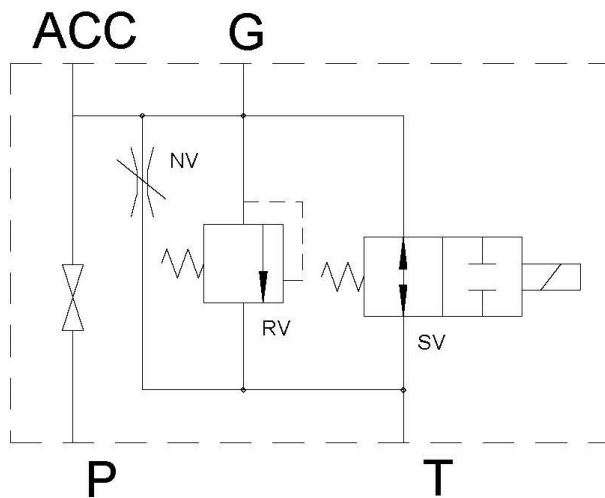
O-Ring Material	
Code	Description
1	Buna-N
2	EPR
3	FKM
4	PTFE
F	FFKM
7	Buna-3716 (Low Temp)

Connection Types	
Imperial Threads	
Code	Description
S	SAE ORB
N	NPT
Metric Threads	
B	BSPP
T	BSPT (Tapered Pipe)
ISO Threads	
IU	ISO6149

Body & End Connections	
Code	Description
1	Carbon Steel
2	Stainless Steel- Type 316
4	Aluminum

Ball & Spindle Mat'l	
Code	Description
1	Carbon Steel
2	Stainless Steel- All 316 Internal
6	416 SS Spindle 316 SS Ball

Seals, Bushings, Washers	
Code	Description
1	Acetal
4	High Temp PEEK
6	Delrin™ AF (Low Friction)



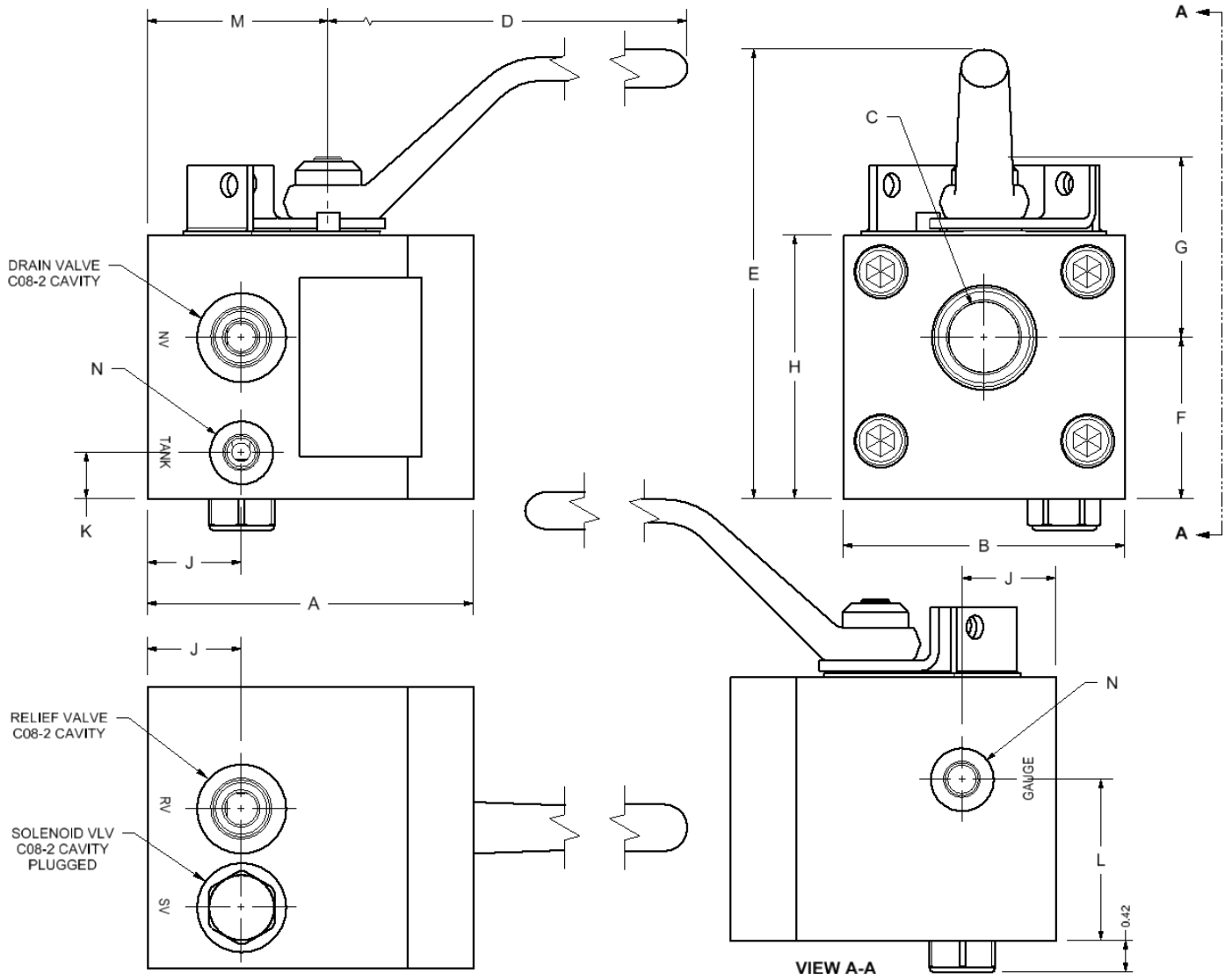
Note: Changes from Standard Materials may result in changes to temperature and/or pressure rating.

Due to our policy of continual product improvement, the specifications in this catalog may change without notice. When designing by spec, please request a certified print.



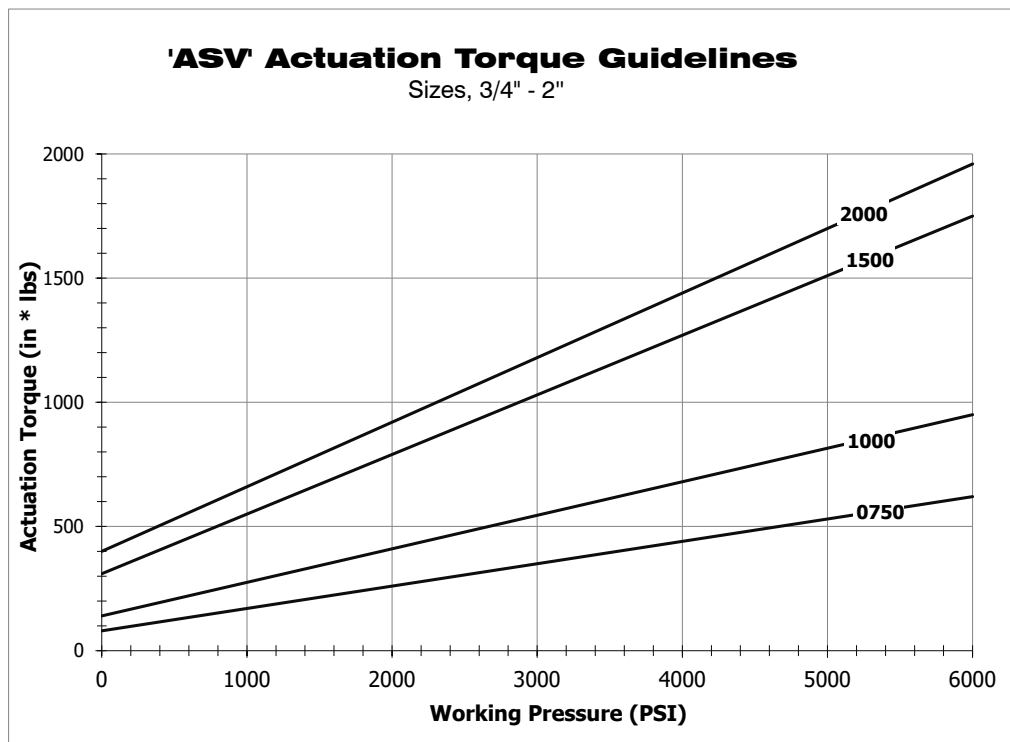
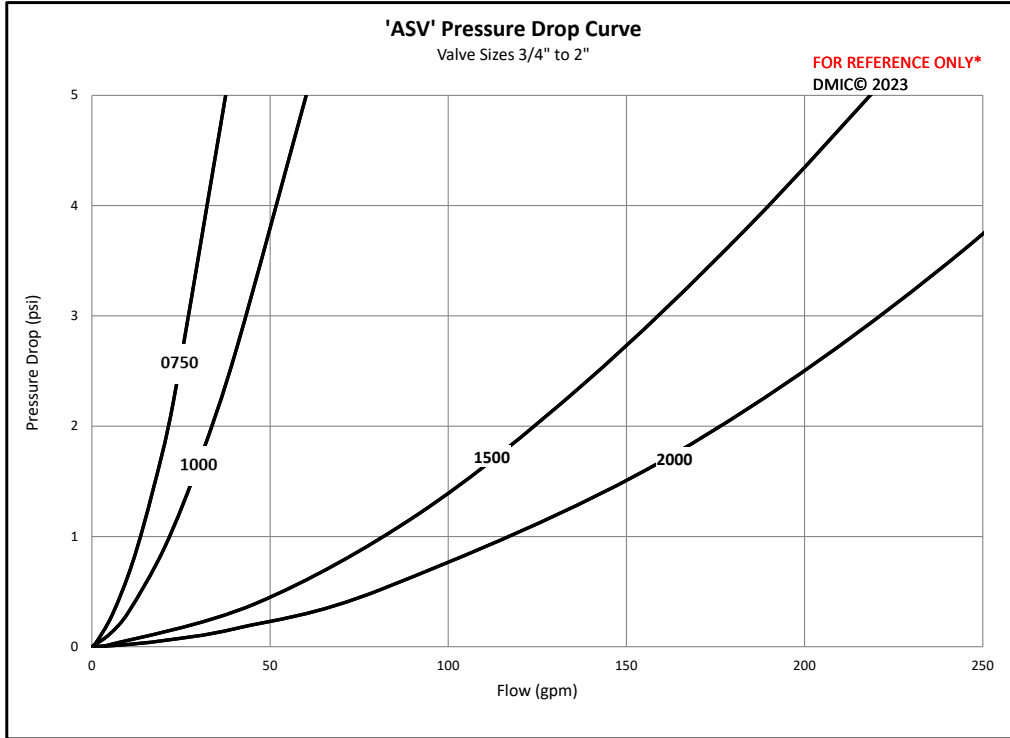
ASV ACCUMULATOR SAFETY VALVE

ASV		Dimensional Information												
Standard Threaded Connections (6000 PSI)														
Dimension (Inches)		A	B	C	D	E	F	G	H	J	K	L	M	N
Port Code(s)	Port Size	Overall Length	Body Width	Bore Size	Handle Length	Overall Height	Bottom to Port Center	Port Center to Top	Body Height	Ports & Cavities	Port	Port	End To Handle Center	Tank & Gauge Port
N S B I U T	3/4"	4.34	3.50	0.75	7.00	5.72	2.00	2.29	3.25	1.38	0.61	2.00	2.73	SAE-4
	1"	4.34	3.75	0.94	7.00	5.97	2.14	2.39	3.50	1.25	0.61	2.13	2.41	SAE-4
	1 1/2"	5.46	4.50	1.50	9.86	7.51	2.25	3.34	4.25	1.25	0.61	2.13	3.00	SAE-4
	2"	6.19	5.50	1.88	9.86	8.26	2.71	3.63	5.00	1.25	0.61	2.50	3.18	SAE-4



ASV ACCUMULATOR SAFETY VALVE

Flow Characteristic and Actuation Torque Curves



Due to our policy of continual product improvement, the specifications in this catalog may change without notice. When designing by spec, please request a certified print.

