

BVDMF CAPTIVE DIRECT MOUNT BALL VALVE

Round Body C.61/62/ANSI/DIN/DMIC

Mounts between a pressure/inlet port and the connection flange for a low-profile, localized shutoff
Models for 3000/6000 PSI ~ Sizes from ½" to 2 ½"

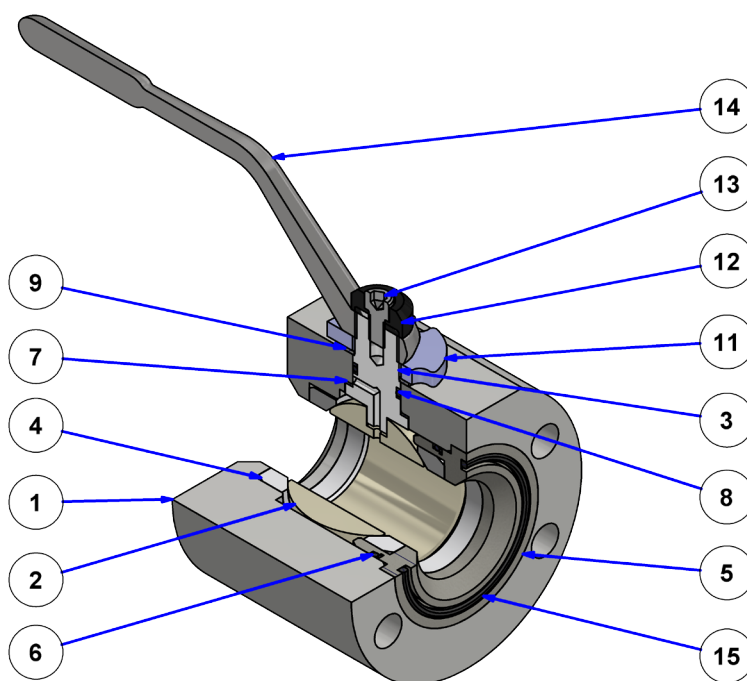
DMIC **BVDMF** is the most compact and lowest cost choice when an SAE 4-Bolt or Split Flange Connection is desired. Optional stainless steel construction, wide array of sealing & options.



- **Exclusive DMIC Spindle-Glide Design** features low torque and the high duty cycle durability that differentiates DMIC from ordinary valves
- **Delrin™ Ball Seals** and Buna-N standard elastomer seals, with all DMIC sealing options available for wide fluid compatibility range
- **Reduced bore for 1" + up allows for compact, lightweight design;** all Stainless Steel construction optional, with Buyer's choice of sealing
- Similar to BVDM but with a threaded C.61 or C.62 SAE 4-bolt Mounting Pad
- Available in aluminum, carbon and stainless steel construction

Service Parts BOM

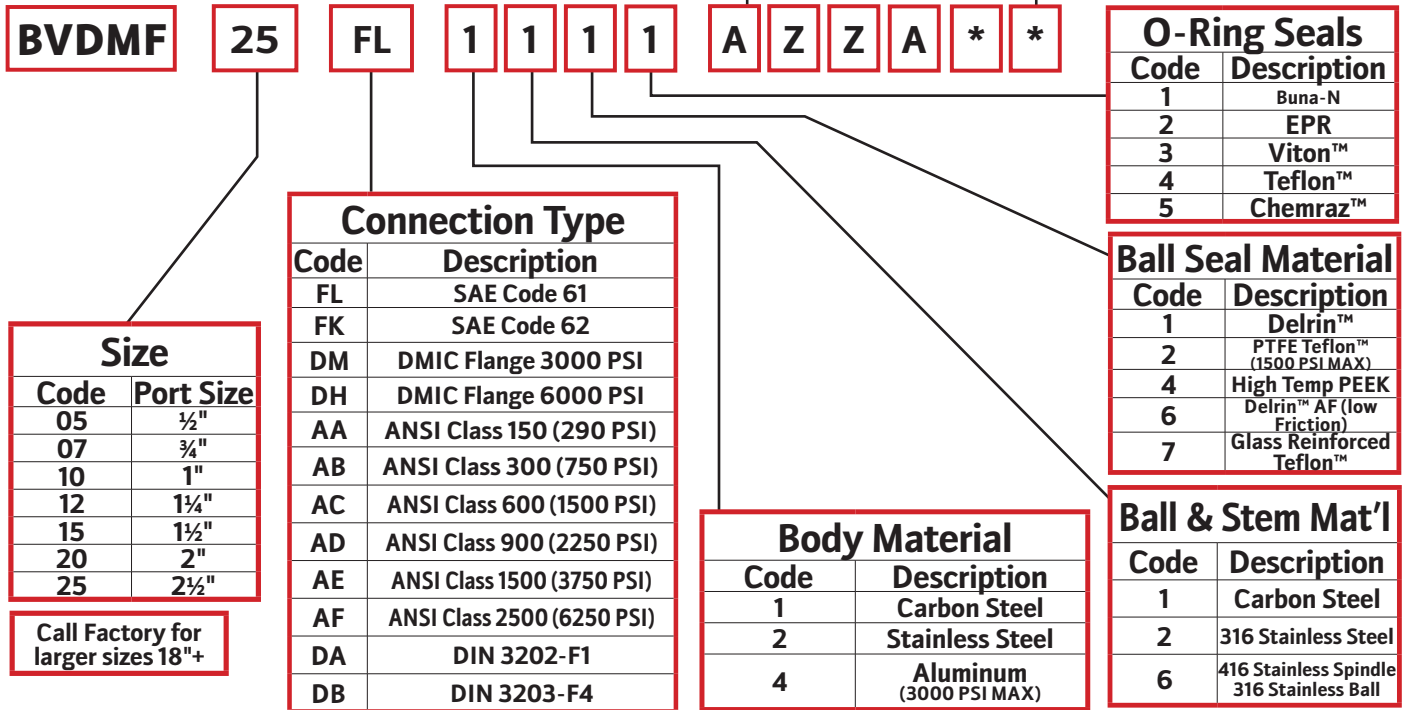
BVDMF	SERVICE PARTS BOM	
Index	Qty	Description
1	1	Valve Body
2	1	Ball
3	1	Spindle
4	2	Ball Seal
5	1	End Connection
6	1	End Connection O-Ring(s)
7	1	Internal Thrust Washer
8	1	Spindle O-Ring(s)
9	1	External Glide Washer
10	1	Stop Pin (not shown)
11	1	Stop Washer
12	1	Color Code Cap
13	1	Handle Screw
14	1	Handle
15	1	Face O-Ring



BVDMF CAPTIVE DIRECT MOUNT BALL VALVE

Ordering Codes Summary

See page 14 for accessory codes



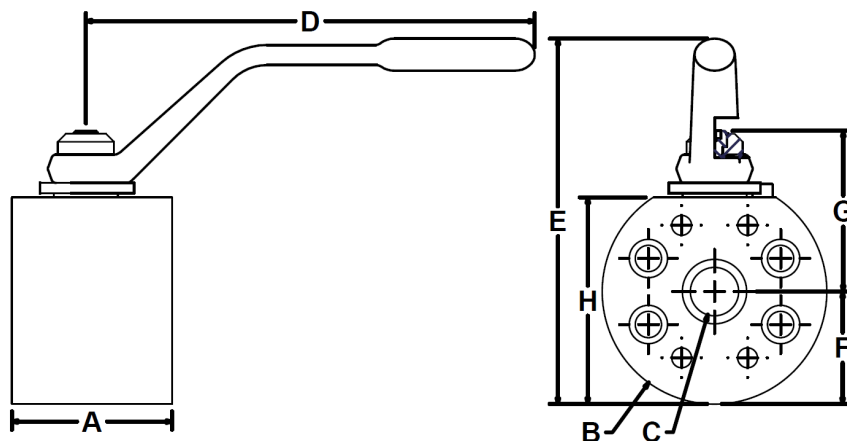
Note: Changes from Standard Materials may result in changes to temperature and/or pressure rating.

Due to our policy of continual product improvement, the specifications in this catalog may change without notice. When designing by spec, please request a certified print.



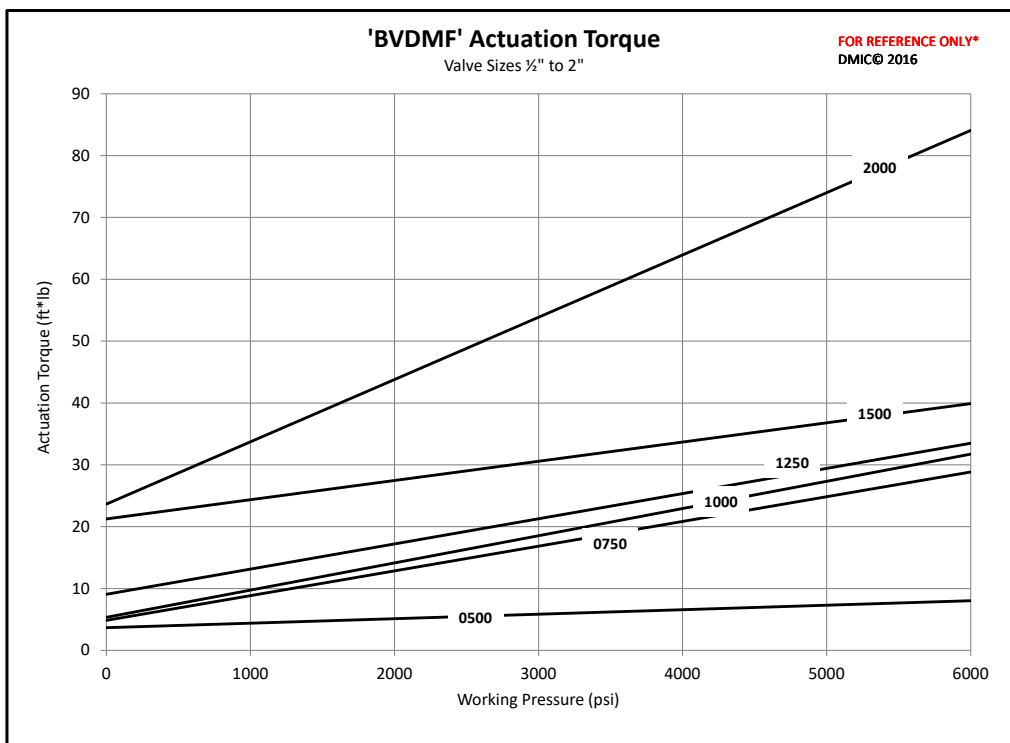
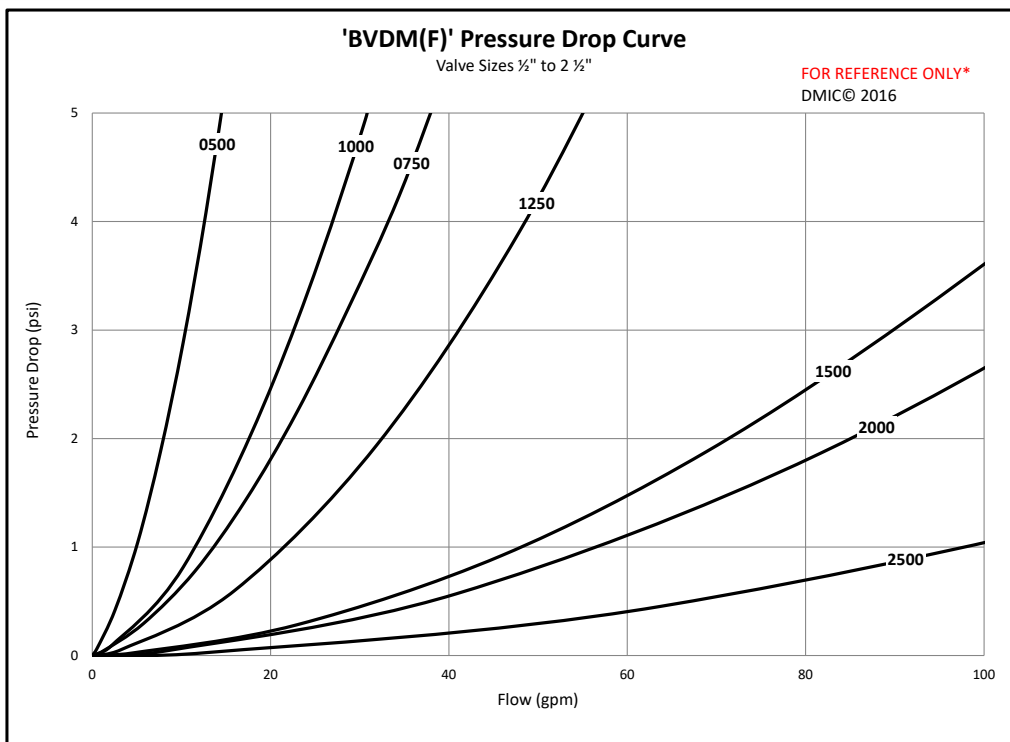
BVDMF CAPTIVE DIRECT MOUNT BALL VALVE

BVDMF	Port Size	PSI Rating	Dimensions (inches)										
			A	ØB	ØC	D	E	F	G	H	J	Counterbore Depth	O-Ring
			Valve Length	Valve Width (Dia)	Valve Bore (Dia)	Handle Length	Overall Height	Port Ctr to Bottom	Port Ctr to Top	Valve Height	Bolt Size		
BVDMF - **FL Code 61 Direct Mount, Round Body													
BVDMF-05FL****	½"	5000 PSI	2.00	2.63	0.50	4.50	4.09	1.31	1.94	2.46	5/16"	0.33	2-210
BVDMF-07FL****	¾"		2.50	3.50	0.75	7.00	5.71	1.75	2.53	3.24	3/8"	0.39	2-214
BVDMF-10FL****	1"		2.50	3.50	0.75	7.00	5.70	1.75	2.50	3.22	3/8"	0.41	2-219
BVDMF-12FL****	1¼"	4000 PSI	3.00	4.00	0.94	7.00	6.09	2.00	2.66	3.62	7/16"	0.45	2-222
BVDMF-15FL****	1½"	3000 PSI	3.25	4.50	1.25	9.86	7.42	2.25	3.30	4.23	½"	0.53	2-225
BVDMF-20FL****	2"		3.50	5.00	1.50	9.86	7.98	2.50	3.61	4.79	½"	0.53	2-228
BVDMF-25FL****	2½"	2500 PSI	CALL FACTORY										
BVDMF - **FK Code 62 Direct Mount, Round Body, 6000 PSI													
BVDMF-05FK****	½"	6000 PSI	2.00	2.75	0.50	4.50	4.15	1.38	1.94	2.53	5/16"	0.33	2-210
BVDMF-07FK****	¾"		2.50	3.50	0.75	7.00	5.71	1.75	2.52	3.24	3/8"	0.39	2-214
BVDMF-10FK****	1"		2.50	3.75	0.75	7.00	5.96	1.88	2.66	3.49	7/16"	0.45	2-219
BVDMF-12FK****	1¼"		3.00	4.50	0.94	7.00	6.64	2.25	2.95	4.16	½"	0.52	2-222
BVDMF-15FK****	1½"		3.25	4.50	1.25	9.86	7.94	2.50	3.57	4.75	5/8"	0.66	2-225
BVDMF-20FK****	2"		4.25	6.00	1.50	9.86	8.86	3.00	3.99	5.67	¾"	0.78	2-228
BVDMF-25FK****	2½"		CALL FACTORY										



BVDMF CAPTIVE DIRECT MOUNT BALL VALVE

Flow Characteristic and Actuation Torque Curves



Due to our policy of continual product improvement, the specifications in this catalog may change without notice. When designing by spec, please request a certified print.

