

# BVHHH ULTIMATE PRESSURE 15,000 PSI

## DMIC'S 15,000 PSI Floating Ball Valve, ¼" to 2" Extreme Pressure Handling, Generous Engineering Factor

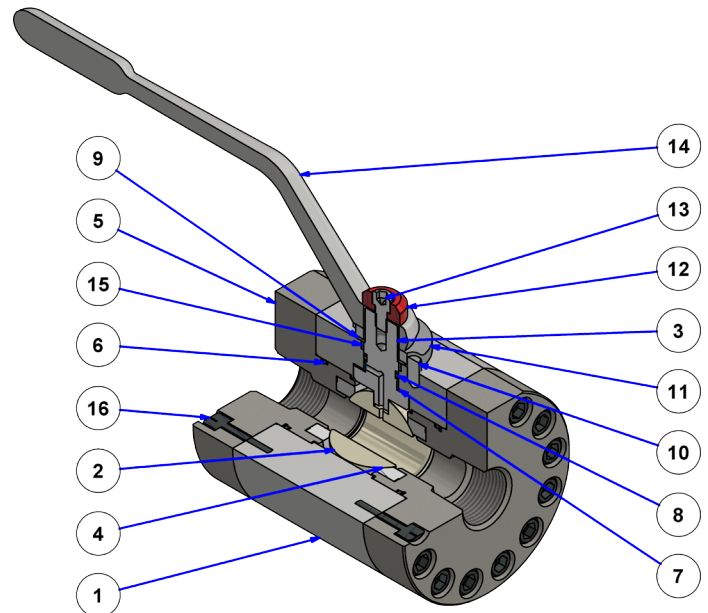


- Max Allowable working pressure up to 15,000 PSI with 3:1 engineering factor
- Special reinforcements prevent collapse of ball seals ensuring that most of DMIC's ball seal materials can be used
- Designed with DMIC's standard blowout-proof stem.
- Compatible with DMIC's wide array of accessories
- Call DMIC for application support or to place order

### Service Parts BOM

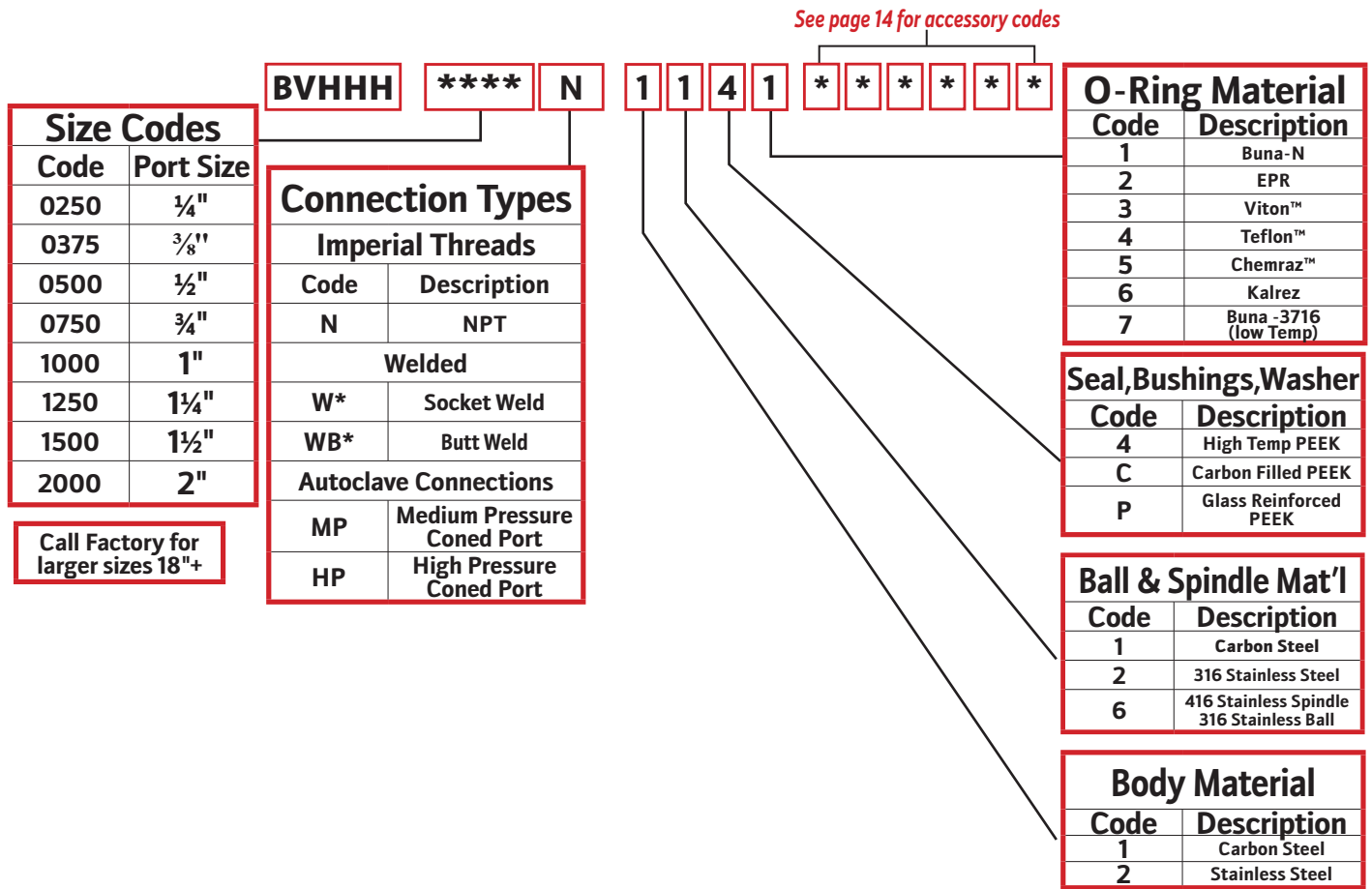
BVHHH	SERVICE PARTS BOM	
Index	Qty	Description
1	1	Valve Body
2	1	Ball
3	1	Spindle
4	2	Ball Seal
5	2	End Connection
6	2	End Connection O-Ring(s)
7	1	Internal Thrust Washer
8	1	Spindle O-Ring(s)
9	1	External Glide Washer
10	1	Stop Pin
11	1	Stop Washer
12	1	Color Code Cap
13	1	Handle Screw
14	1	Handle
15	1	Spindle Bushing(s)
16	24	End Connection Screws

\*Quantity depends on size and combination of body



# BVHHH ULTIMATE PRESSURE 15,000 PSI

## Ordering Codes Summary

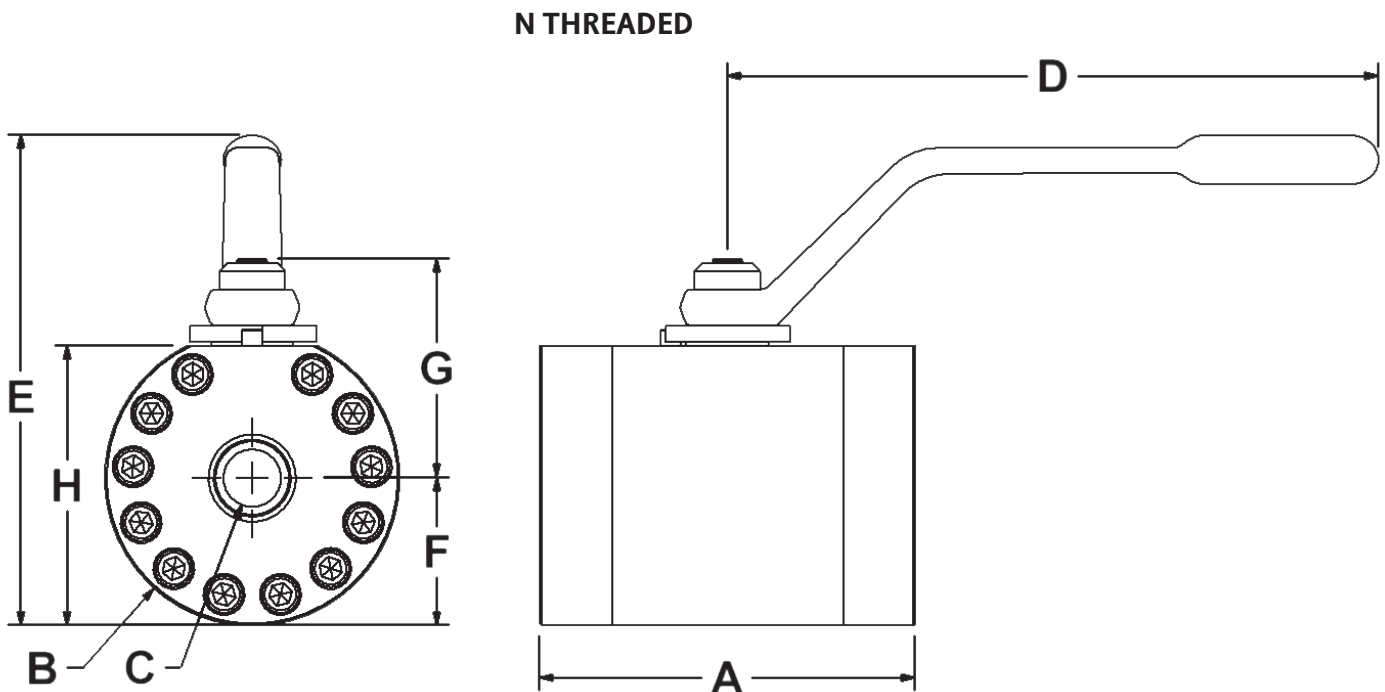


**Note:** Changes from Standard Materials may result in changes to temperature and/or pressure rating.



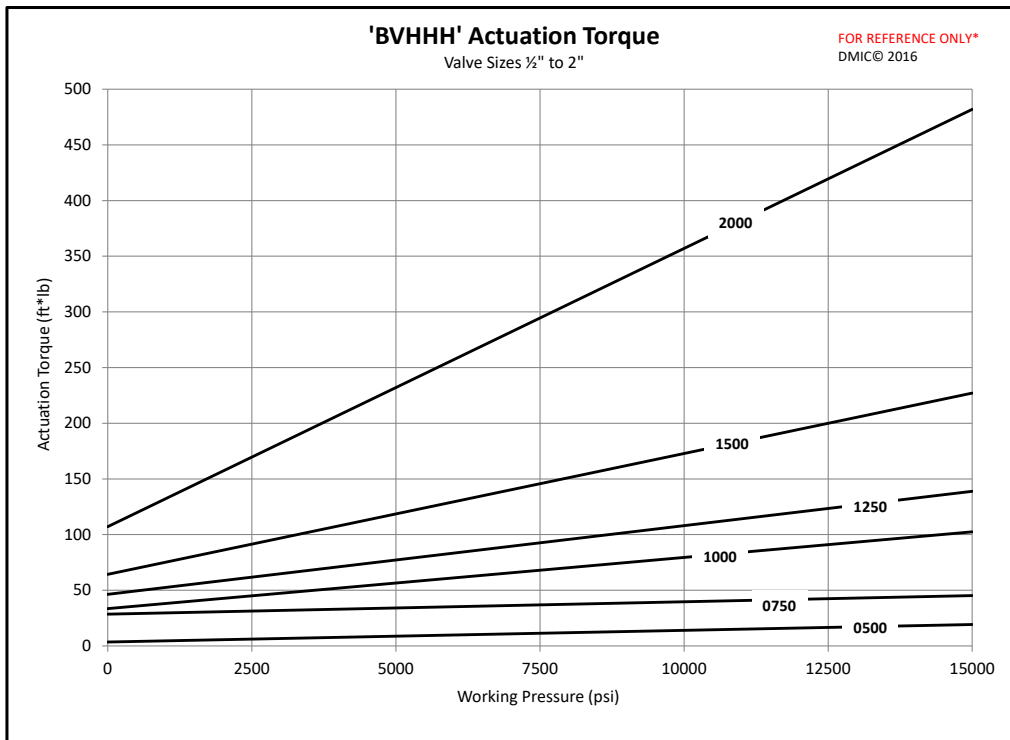
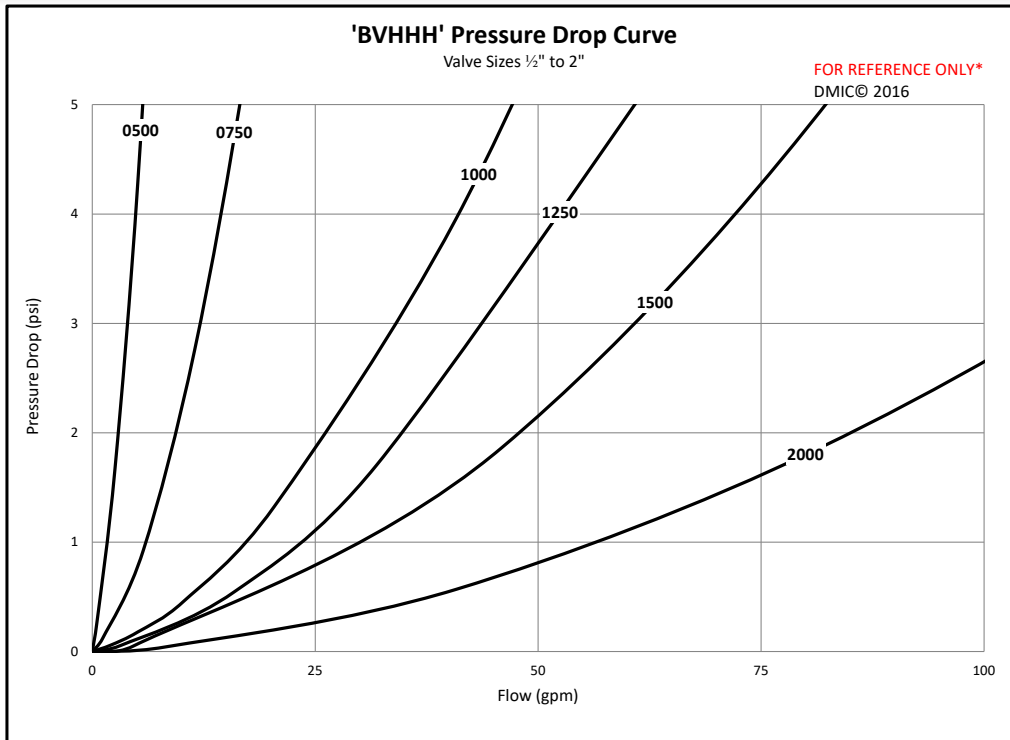
# BVHHH ULTIMATE PRESSURE 15,000 PSI

BVHHH	Ball Valve Dimensions (Threaded Connections Only)								
Port Code	Port Size	Valve Dimensions (in)							
		Valve Length A	Body Diameter B	Internal Bore C	Handle Length D	Overall Height E	Bottom to Center F	Center to Mounting Pad G	Bottom to Cap H
<b>N</b> Threaded Connection	½"	3.83	2.95	0.38	7.00	5.18	1.48	2.27	2.71
	¾"	<b>Please Call DMIC At 1-800-248-DMIC</b>							
	1"	5.69	4.47	0.88	9.86	7.43	2.24	3.32	4.24
	1¼"	<b>Please Call DMIC At 1-800-248-DMIC</b>							
	1½"								
	2"	8.25	7.20	1.50	12.00	10.26	3.60	4.96	6.86



# BVHHH ULTIMATE PRESSURE 15,000 PSI

## Flow Characteristic and Actuation Torque Curves



*Due to our policy of continual product improvement, the specifications in this catalog may change without notice. When designing by spec, please request a certified print.*

