

BVQW SUBSEA BALL VALVE

Subsea Ball Valve

High Quality Stainless Steel Fluid & Gas Valves ½" to 6+"

BVQW ~ Subsea Applications

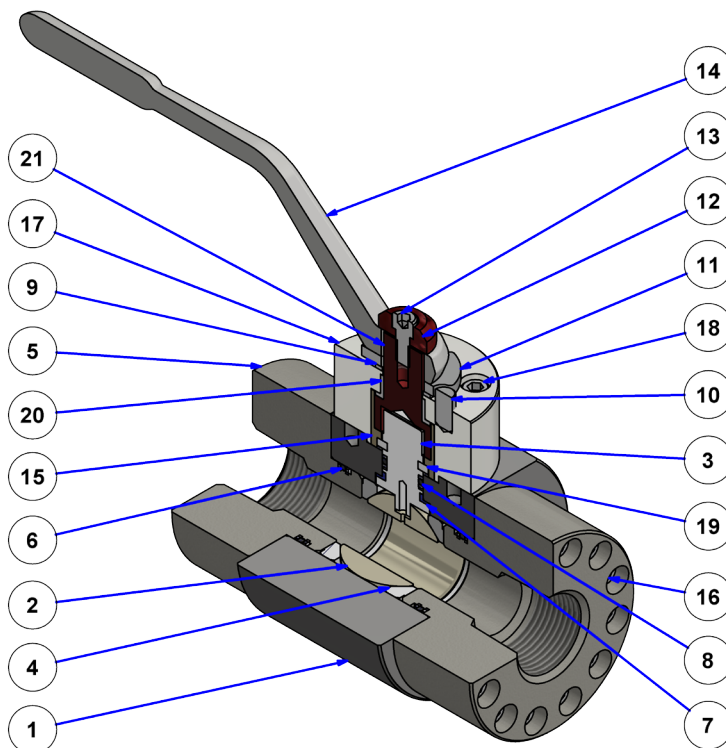


- DMIC's highest quality stainless steel ball valve for deep sea service up to 10,000ft deep
- Derived from DMIC's superior BVQ/BVQG high quality stainless steel valve series
- Standard sizes range from ½" - 6+", call for sizes greater than 2½"
- Available with Threaded, Welded, or API-Length ANSI Flanged end connections
- Isolated 316 Spindle increases durability, ideal for applications requiring an Actuator
- Suitable for sour gas service in compliance with NACE MR0175
- Ships standard with High-Temperature PEEK seals and Viton™ O-Rings. Higher temperature materials available upon request
- Inconel and Duplex stainless steel available upon request call factory

Service Parts BOM

BVQW	SERVICE PARTS BOM	
Index	Qty	Description
1	1	Valve Body
2	1	Ball
3	1	Spindle
4	2	Ball Seal
5	2	End Connection(s)
6	2	End Connection O-Ring(s)
7	1	Internal Thrust Washer
8	1	Spindle O-Ring(s)
9	1	External Glide Washer
10	1	Stop Pin
11	1	Stop Washer
12	1	Color Code Cap
13	1	Handle Screw
14	1	Handle
15	1*	Spindle Bushing(s)
16	24*	End Connection Screws
17	1	Top Cap
18	4*	Top Cap Screws
19	1	Spindle Lock Ring
20	1	Upper Thrust Washer
21	1	Upper Spindle

*Quantity depends on size and configuration



BVQW SUBSEA BALL VALVE

Ordering Codes Summary

See page 14 for accessory codes

Size Codes	
Code	Port Size
0500	½"
0750	¾"
1000	1"
1250	1 ¼"
1500	1 ½"
2000	2"
2500+	2 ½"-Call

***All sizes are reduced Bore please check dimensional chart.**

Call Factory for larger sizes 18"+

BVQW ******** **S** **2** **2** **4** **3** ***** ***** ***** ***** ***** *****

Connection Types	
Imperial Threads	
Code	Description
S	SAE ORB
N	NPT
MP	Medium Pressure Coned Port
Metric Threads	
B	BSPP
ISO Threads	
IU	ISO6149
Welded	
W*	Socket Weld
WB*	Butt Weld
Flanged	
A*	ANSI Flanges
F*	SAE 4-Bolt UNC
G*	SAE 4-Bolt Metric
S*	SAE Split

O-Rings	
Code	Description
1	Buna-N
2	EPR
3	Viton™ (std)
5	Chemraz™
6	Kalrez
7	Buna-3716 (Low Temp)

Seals, Bushings, Washers	
Code	Description
1	Delrin™
4	High Temp Peek (std)
6	Delrin™ AF (low Friction)

Ball & Spindle	
Code	Description
2	Stainless Steel - 316 (std)
9	Inconel 625
D	Duplex S.S - 2205

Body & End Connections	
Code	Description
2	Stainless Steel - 316 (std)
9	Inconel 625
D	Duplex S.S - 2205

Note: Changes to Sealing Materials may result in changes to temperature and/or pressure rating.

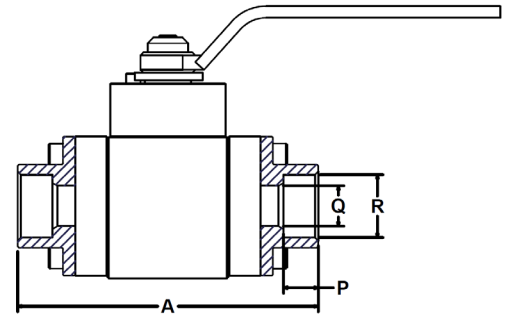
Due to our policy of continual product improvement, the specifications in this catalog may change without notice. When designing by spec, please request a certified print.



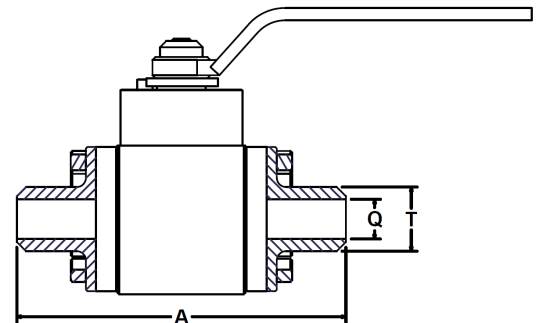
BVQW SUBSEA BALL VALVE

BVQW	Port Size	A	B	ØC	D	E	F	G
		Overall Length	Body Diameter	Bore	Handle Length	Height	Bottom to Center	Bottom to Cap
For Threaded Connection Type								
N S B IU MP	½"	3.75	2.50	0.50	4.53	4.76	1.13	3.14
	¾"	4.25	3.00	0.75	7.19	5.55	1.31	3.88
	1"	5.5	3.50	0.88	7.19	5.86	1.54	4.20
	1¼"	6.25	4.50	1.13	12.00	8.23	2.00	5.42
	1½"	7.00	4.97	1.31	12.00	8.88	2.49	6.06
	2"	7.25	5.50	1.75	12.00	9.44	2.75	6.62
Socket Weld Connections								
Port Code(s)	Port Size	A	C	P	Q	R		
		Overall Length	Bore Size (Ball)	Socket Depth	Connection Inside Diameter	Inside Socket Outer Diameter		
W* *4-SCH 40 *8-SCH 80 *F-SCH 160 *G-XXS More Sizes Available Upon Request	½"	5.00	0.50	0.75	Based Upon Pipe Schedule	0.88		
	¾"	5.75	0.75	0.75		1.09		
	1"	6.50	0.88	0.75		1.36		
	1¼"	7.50	1.13	0.75		1.70		
	1½"	7.50	1.31	0.75		1.95		
	2"	8.75	1.75	1.00		2.50		
Fixed Butt-Weld Connections								
Port Code(s)	Port Size	A	C	Q	T			
		Overall Length	Bore Size (Ball)	Connection Inside Diameter	Weld Neck Outer Diameter			
WB* *4-SCH 40 *8-SCH 80 *F-SCH 160 *G-XXS More Sizes Available Upon Request	½"	5.25	0.50	Based Upon Pipe Schedule	0.84			
	¾"	6.25	0.75		1.05			
	1"	6.75	0.88		1.31			
	1¼"	8.75	1.13		1.66			
	1½"	9.50	1.31		1.91			
	2"	10.75	1.75		2.38			

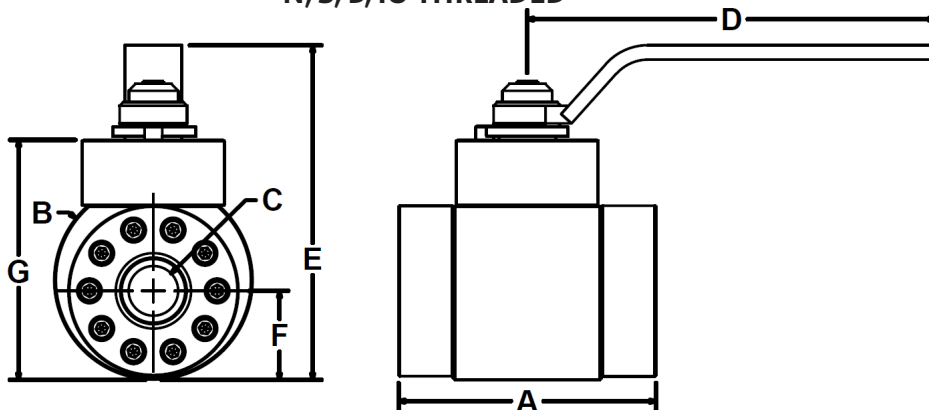
W(*) FIXED SOCKET WELD
(*) PIPE SCHEDULE CHARACTER



WB(*) FIXED BUTT WELD
(*) PIPE SCHEDULE CHARACTER



N, S, B, IU THREADED

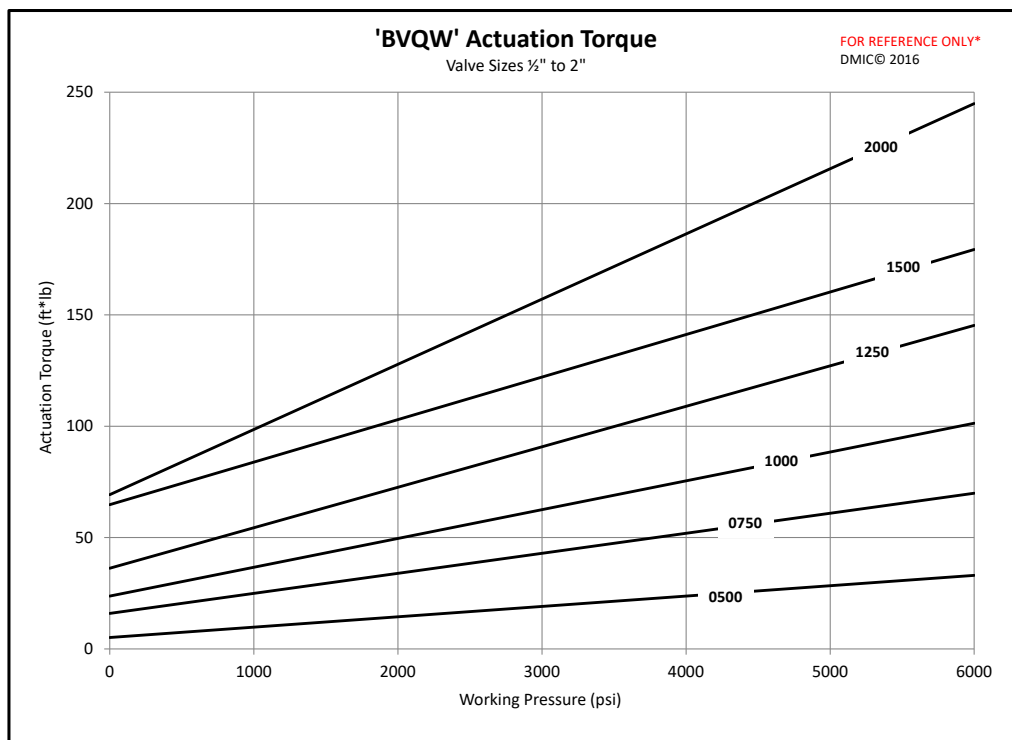
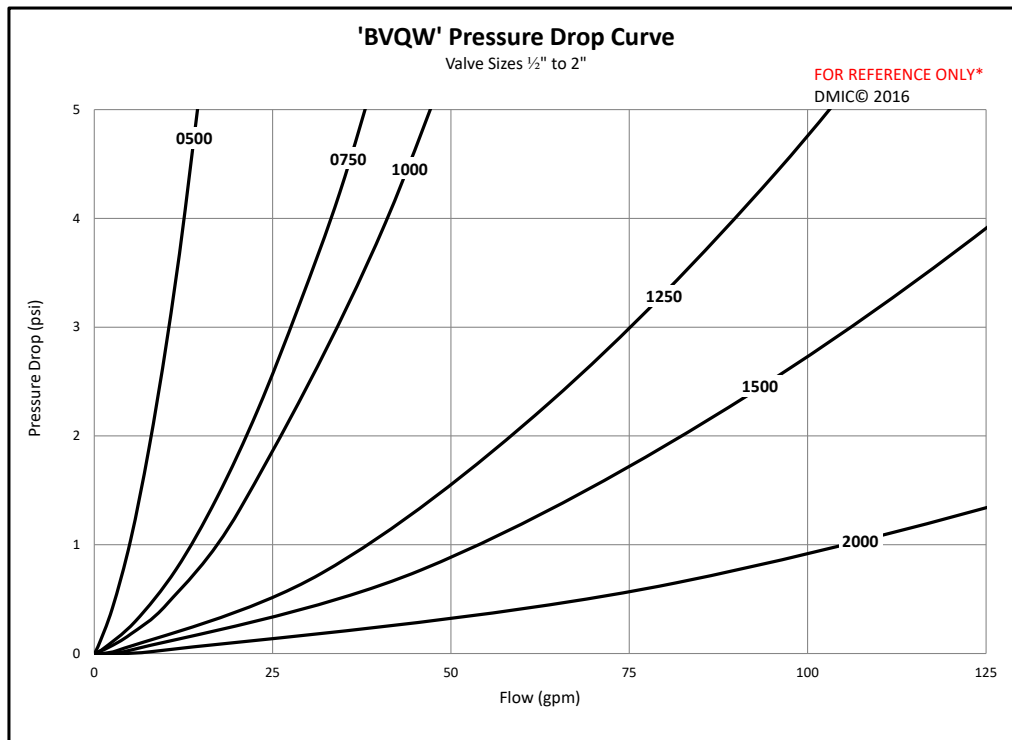


****Larger sizes available upon request****



BVQW SUBSEA BALL VALVE

Flow Characteristic and Actuation Torque Curves



Due to our policy of continual product improvement, the specifications in this catalog may change without notice. When designing by spec, please request a certified print.

