

# BVQ/BVQG 6000 PSI

**Raises every standard: thermal, quality, durability ; -20°F to 400°F**  
*High Quality Stainless Steel Fluid & Gas Valves ½" to 6"*



## BVQ

- All 316 Stainless steel construction standard.
- Standard sizes range from ½"-6" bore; Call for sizes greater than 2" bore.
- Designed for demanding applications where high performance & quality are required
- 6,000 PSI with generous design factor to eliminate damage due to pressure spikes.
- Wide variety of bolted end connections ideal for heavy industrial applications.
- Isolated spindle allows for use of 316 spindle without metal-to-metal contact; ideal for applications requiring an actuator.
- Standard High Temperature Peek ball seals & Viton™ seals. Other materials available for full fluid compatibility range.

## BVQG ~ Gas Applications

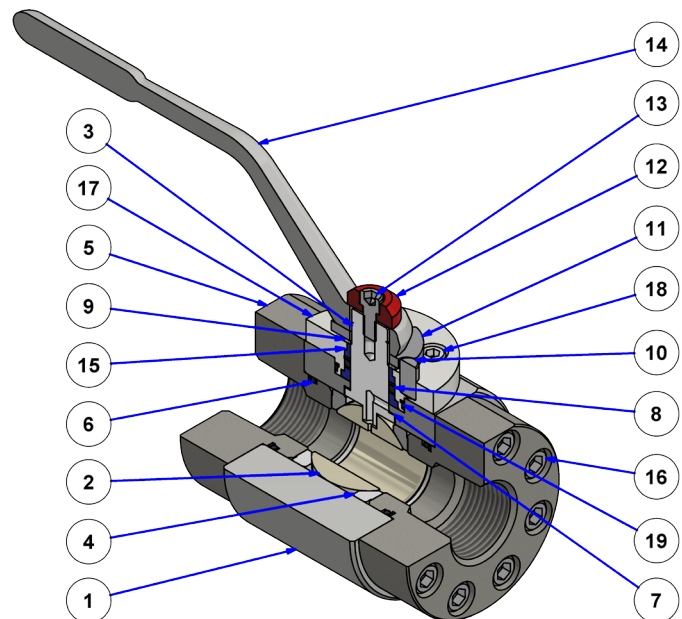
- Improved ball seals specially designed for gas applications.
- Special material coatings improves life expectancy in dry environment.
- Anti-Static Feature Standard
- Assembled with Krytox Grease

\* Please note: For valves larger than 2", large pressure differentials may make the valve difficult to open and the pressure balance may be required. Ask your DMIC sales Associate for more info!

## Service Parts BOM

BVQ/G	SERVICE PARTS BOM	
Index	Qty	Description
1	1	Valve Body
2	1	Ball
3	1	Spindle
4	2	Ball Seal
5	2	End Connection(s)
6	2	End Connection O-Ring(s)
7	1	Internal Thrust Washer
8	1	Spindle O-Ring(s)
9	1	External Glide Washer
10	1	Stop Pin
11	1	Stop Washer
12	1	Color Code Cap
13	1	Handle Screw
14	1	Handle
15	1	Spindle Bushing(s)
16	24*	End Connection Screws
17	1	Top Cap
18	4*	Top Cap Screws
19	1	Top Cap O-Ring(s)

\*Quantity depends on size and Configuration



# BVQ/BVQG 6000 PSI

## Ordering Codes Summary

Size Codes	
Code	Port Size
0500	½"
0750	¾"
1000	1"
1250	1 ¼"
1500	1 ½"
2000	2"
2500+	2 ½" - Call

*\*All sizes are reduced Bore please check dimensional chart.*

Call Factory for larger sizes 18"+

**BVQ**  
or  
**BVQG**

\*\*\*\*

S

2

2

4

3

See page 14 for accessory codes

\* \* \* \* \*

Connection Types	
Imperial Threads	
Code	Description
S	SAE ORB
N	NPT
Metric Threads	
B	BSPP
ISO Threads	
IU	ISO6149
Welded	
W*	Socket Weld
WB*	Butt Weld
Flanged	
A*	ANSI Flanges
F*	SAE 4-Bolt UNC
G*	SAE 4-Bolt Metric
S*	SAE Split
Grayloc®	
GR*	Grayloc® Hub

O-Rings	
Code	Description
1	Buna-N
2	EPR
3	Viton™
5	Chemraz™
6	Kalrez
7	Buna-3716 (Low Temp)

Seals, Bushings, Washers	
Code	Description
1	Delrin™
4	High Temp Peek
6	Delrin™ AF (low Friction)

Ball & Spindle	
Code	Description
2	Stainless Steel - 316
6	416 Stainless Spindle 316 Stainless Ball

Body & End Connections	
Code	Description
1	Carbon Steel - ASTM A108
2	Stainless Steel - 316

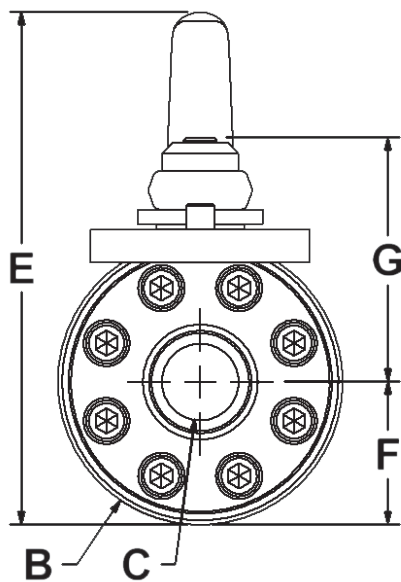
**Note:** Changes to Sealing Materials may result in changes to temperature and/or pressure rating.

*Due to our policy of continual product improvement, the specifications in this catalog may change without notice. When designing by spec, please request a certified print.*

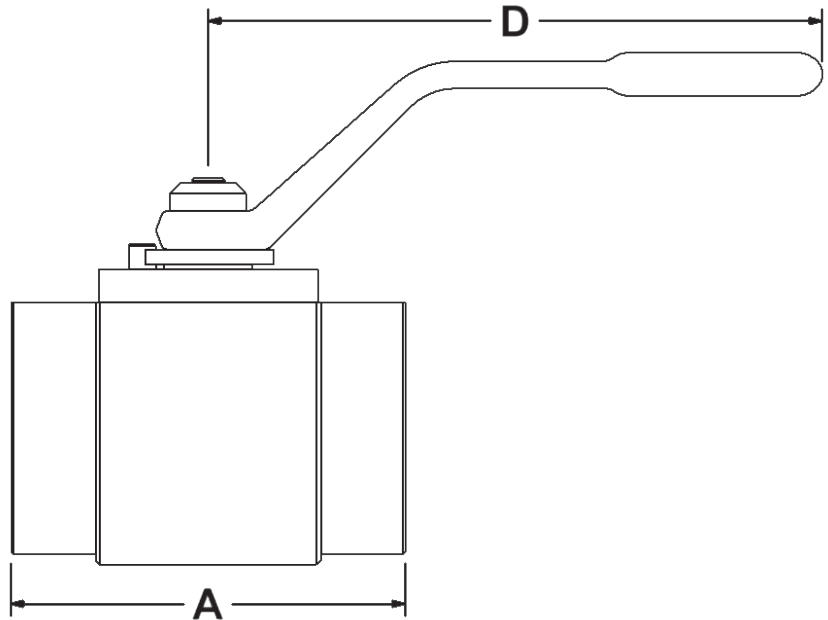


# BVQ/BVQG 6000 PSI

BVQ/ BVQG	Port Size	Rated Pressure PSI	Dimensions						
			A Length	B Body Diameter	ØC Bore	D Handle Length	E Height	F Bottom to Center	G Center to Cap
<b>For Threaded Connection Type</b>									
BVQ-0500****	½"	6000	3.31	2.25	0.38	4.50	3.90	1.13	1.94
BVQ-0750****	¾"		4.35	2.75	0.56	7.00	5.35	1.25	2.67
BVQ-1000****	1"		4.60	3.25	0.81	7.00	5.83	1.63	2.77
BVQ-1250****	1¼"		5.27	4.22	1.10	9.86	7.49	2.11	3.51
BVQ-1500****	1½"		5.35	4.50	1.31	9.86	8.07	2.25	3.95
BVQ-2000****	2"		6.58	4.97	1.75	9.86	8.62	2.50	4.24

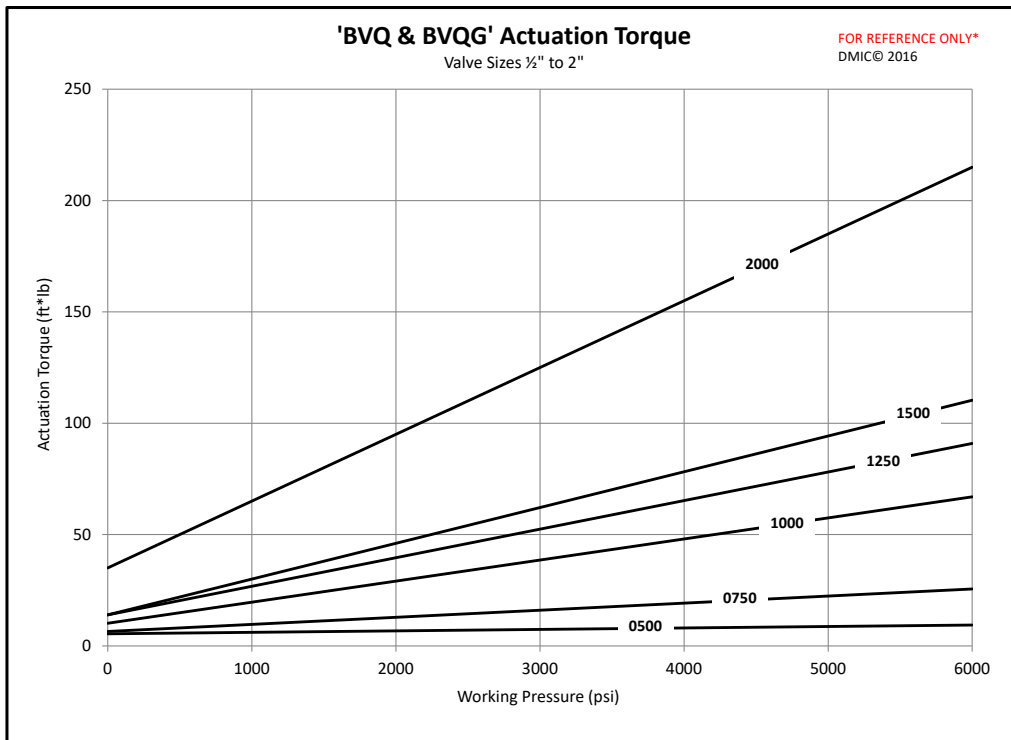
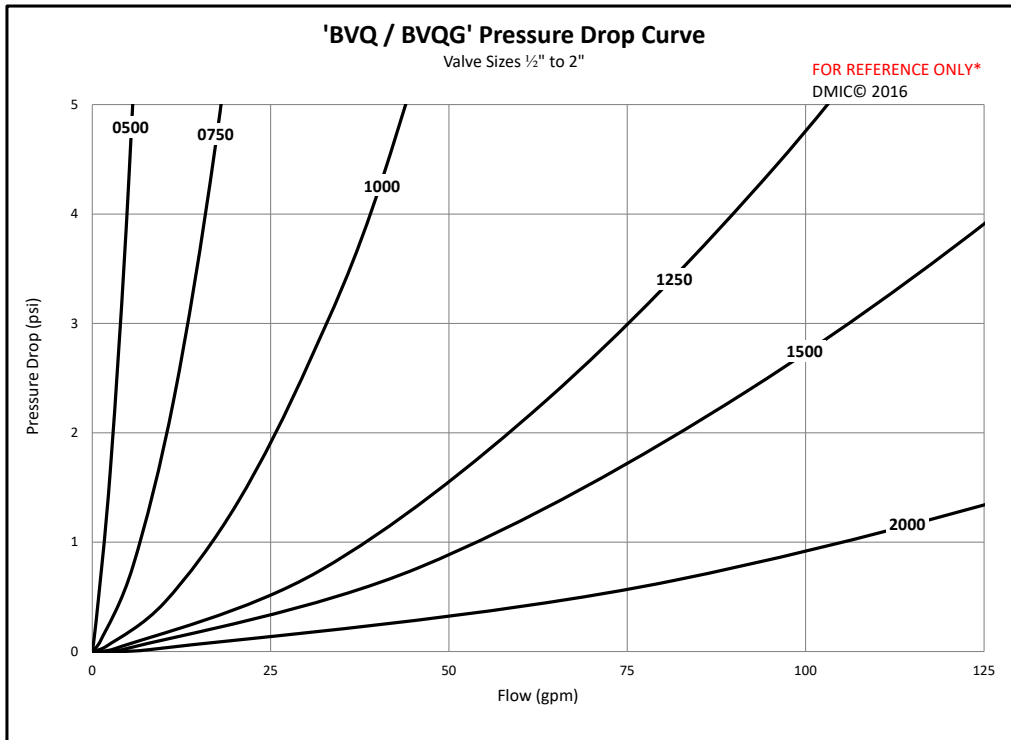


N THREADED



# BVQ/BVQG 6000 PSI

## Flow Characteristic and Actuation Torque Curves



**Due to our policy of continual product improvement, the specifications in this catalog may change without notice. When designing by spec, please request a certified print.**

