

# Blank Flanges and Heads

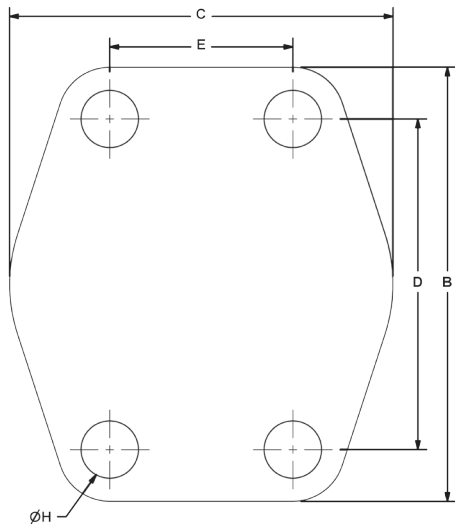
Forged Steel & Stainless Steel construction  
 Sizes from 1/2" through 5" in Code 61, to 2" in Code 62



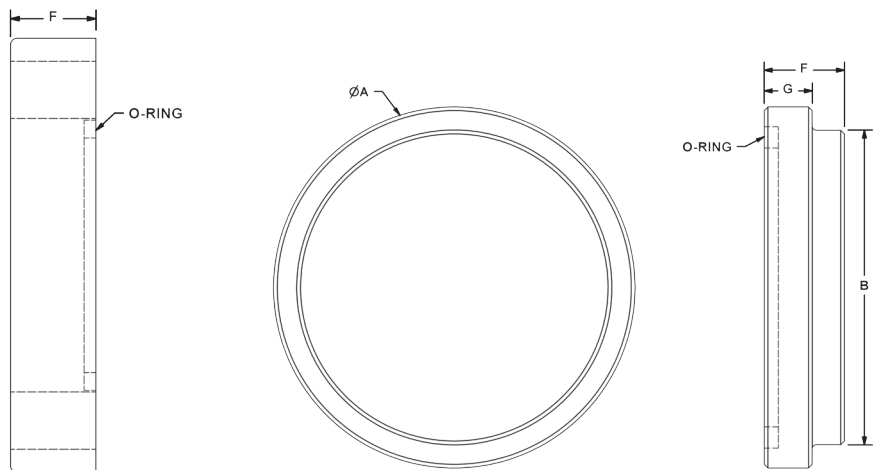
DMIC's **FLB** 4-Bolt Blank Flange series are handy to have around. Common uses of unported DMIC flanges include:

- Installation of pressure gauges or transducers
- Can be machined for rapid non-standard replacement parts availability
- Used as cover plates for spare pressurized ports
- Reconfigure & operate systems during repair and diagnosis
- **FLBH & FHBH** Blank Flange Heads are used with a split flange kit to achieve the same effect as an **FLB3** or **FLB6** 4-Bolt Blank.

**FLB3/FHB6**

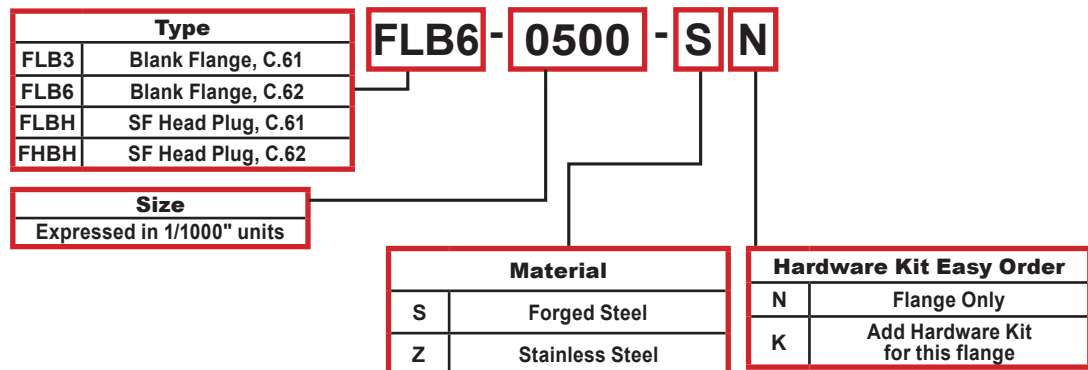


**FLBH/FHBH**



**Note:** The **FLBH/FHBH** Blank Flange Head requires a Split Flange Kit for mounting.

## Ordering Codes Summary



Due to our policy of continual product improvement, the specifications in this catalog may change without notice. When designing by spec, please request a certified print.



www.dmic.com  
 DMIC Flange Catalog  
 Copyright ©2019 Delaware Mfg.

DFL-1902A

Page 17

Call Toll Free 1-800-248-3642  
 In Canada 1-800-320-3642



Blank Flange Part Number	Flange Size	Working PSI	Dimensions (inches)							O-Ring
			B	C	D	E	F	H	lbs.	
<b>FLB3 (Blank 4-Bolt Flange, Standard, C.61)</b>										
FLB3-0500SN	½"	5000	2.20	1.81	1.50	0.69	0.63	0.35	0.53	2-210
FLB3-0750SN	¾"	5000	2.56	1.97	1.88	0.88	0.63	0.43	0.66	2-214
FLB3-1000SN	1"	5000	2.76	2.36	2.06	1.03	0.75	0.43	0.93	2-219
FLB3-1250SN	1¼"	4000	3.11	2.68	2.31	1.19	0.71	0.45	1.21	2-222
FLB3-1500SN	1½"	3000	3.66	3.07	2.75	1.41	0.79	0.53	1.81	2-225
FLB3-2000SN	2"	3000	4.02	3.54	3.06	1.69	0.79	0.53	2.38	2-228
FLB3-2500SN	2½"	2500	4.49	4.13	3.50	2.00	0.79	0.53	3.09	2-232
FLB3-3000SN	3"	2000	5.28	4.88	4.19	2.44	0.94	0.69	5.25	2-237
FLB3-3500SN	3½"	500	5.98	5.35	4.75	2.75	0.87	0.69	6.42	2-241
FLB3-4000SN	4"	500	6.38	5.75	5.13	3.06	0.98	0.69	8.77	2-245
<b>FLB6 (Blank 4-Bolt Flange, Standard, C.62)</b>										
FLB6-0500SN	½"	6000	2.20	1.89	1.59	0.72	0.63	0.35	0.53	2-210
FLB6-0750SN	¾"		2.80	2.36	2.00	0.94	0.75	0.43	0.93	2-214
FLB6-1000SN	1"		3.19	2.76	2.25	1.09	0.94	0.51	1.70	2-219
FLB6-1250SN	1¼"		3.74	3.07	2.63	1.25	1.06	0.59	2.56	2-222
FLB6-1500SN	1½"		4.41	3.70	3.13	1.44	1.18	0.67	3.97	2-225
FLB6-2000SN	2"		5.28	4.49	3.81	1.75	1.18	0.83	5.67	2-228

Blank Flange Part Number	Flange Size	Working PSI	Dimensions (inches)				O-Ring
			A	B	F	G	
<b>FLBH (Split Head Blank, Standard, C.61)</b>							
FLBH-0500SN	½"	5000	1.19	0.94	0.50	0.26	2-210
FLBH-0750SN	¾"	5000	1.50	1.24	0.50	0.26	2-214
FLBH-1000SN	1"	5000	1.75	1.50	0.50	0.31	2-219
FLBH-1250SN	1¼"	4000	2.00	1.69	0.56	0.31	2-222
FLBH-1500SN	1½"	3000	2.37	1.97	0.63	0.31	2-225
FLBH-2000SN	2"	3000	2.81	2.44	0.63	0.37	2-228
FLBH-2500SN	2½"	2500	3.31	2.92	0.69	0.37	2-232
FLBH-3000SN	3"	2000	4.00	3.54	0.75	0.37	2-237
FLBH-3500SN	3½"	500	4.50	4.02	0.88	0.42	2-241
FLBH-4000SN	4"	500	5.00	4.49	0.88	0.42	2-245
<b>FHBH (Split Head Blank, Standard, C.62)</b>							
FHBH-0500SN	½"	6000	1.25	0.94	0.50	0.29	2-210
FHBH-0750SN	¾"		1.63	1.26	0.69	0.34	2-214
FHBH-1000SN	1"		1.87	1.50	0.81	0.37	2-219
FHBH-1250SN	1¼"		2.13	1.73	1.00	0.40	2-222
FHBH-1500SN	1½"		2.50	2.01	1.19	0.49	2-225
FHBH-2000SN	2"		3.13	2.64	1.50	0.49	2-228

