

Butt Weld 4-Bolt

Chamfered end; Skilled welding labor required
Standard & Companion ~Pipe & Tube models



DMIC's **FBW** Butt Weld flanges can produce exquisite welded piping assemblies in the hands of master welders. However, the possibility of leakage and failure is increased at pressure relative to our **FWI** Socket Weld series.

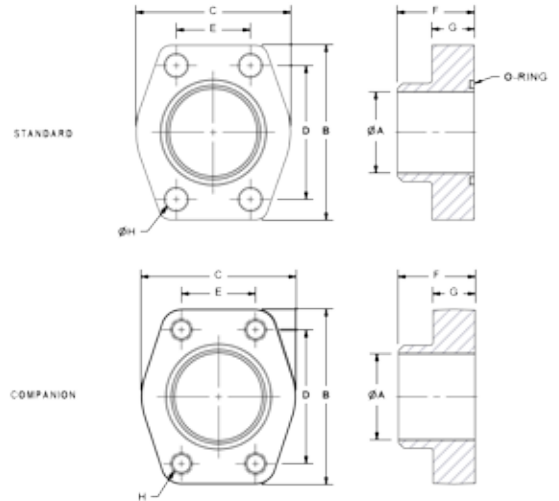
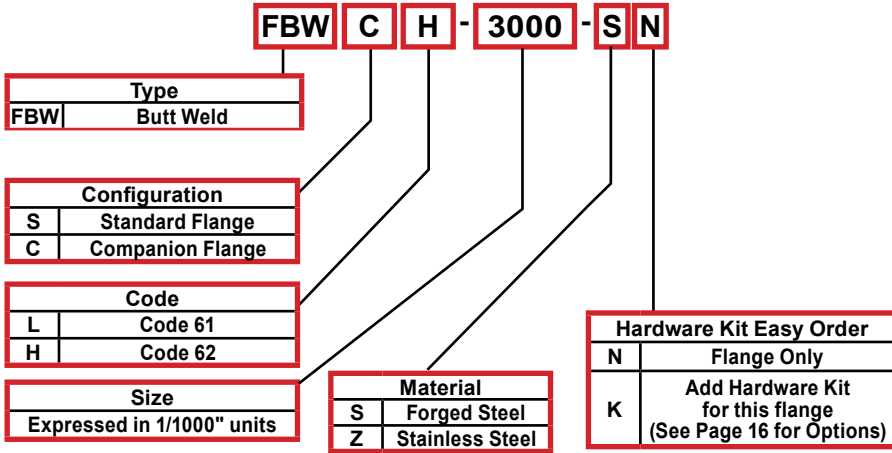
- Sizes from ½" through 4"
- Extensive stock of "Standard" and "Companion" types
- DMIC "Standard" flanges designed to accept either UNC or metric bolts
- Optional Viton & EPR hardware kits (see pg. 16)

Standard Butt Weld Flanges (with O-Ring Groove)

Standard Flange Part Number	Size		Working PSI	Dimensions (inches)									O-Ring
	Flange	Pipe OD		A	B	C	D	E	F	G	H	lbs.	
FBWSL (Butt Weld, Standard, C.61)													
FBWSL-0500SN	½"	0.84	5000	0.51	2.24	1.81	1.50	0.69	1.42	0.63	0.35	0.53	2-210
FBWSL-0750SN	¾"	1.05	5000	0.75	2.56	1.97	1.88	0.88	1.42	0.71	0.43	0.77	2-214
FBWSL-1000SN	1"	1.31	5000	0.98	2.76	2.17	2.06	1.03	1.50	0.71	0.43	0.90	2-219
FBWSL-1250SN	1¼"	1.66	4000	1.26	3.11	2.68	2.31	1.19	1.61	0.83	0.45	1.41	2-222
FBWSL-1500SN	1½"	1.91	3000	1.50	3.66	3.07	2.75	1.41	1.73	0.98	0.53	2.16	2-225
FBWSL-2000SN	2"	2.38	3000	2.01	4.02	3.54	3.06	1.69	1.77	0.98	0.53	2.51	2-228
FBWSL-2500SN	2½"	2.88	2500	2.48	4.49	4.13	3.50	2.00	1.97	0.98	0.53	3.42	2-232
FBWSL-3000SN	3"	3.50	2000	2.87	5.28	4.88	4.19	2.44	1.97	1.06	0.69	5.14	2-237
FBWSL-3500SN	3½"	4.00	500	3.50	5.98	5.35	4.75	2.75	1.89	1.06	0.69	5.29	2-241
FBWSL-4000SN	4"	4.50	500	3.90	6.38	5.75	5.13	3.06	1.89	1.06	0.69	6.28	2-245
FBWSH (Butt Weld, Standard, C.62)													
FBWSH-0500SN	½"	0.84	6000	0.51	2.24	1.81	1.59	0.72	1.42	0.63	0.35	0.53	2-210
FBWSH-0750SN	¾"	1.05		0.75	2.80	2.17	2.00	0.94	1.38	0.83	0.43	1.06	2-214
FBWSH-1000SN	1"	1.31		0.98	3.11	2.68	2.25	1.09	1.61	0.83	0.51	1.41	2-219
FBWSH-1250SN	1¼"	1.66		1.26	3.66	3.07	2.63	1.25	1.73	0.98	0.59	2.20	2-222
FBWSH-1500SN	1½"	1.91		1.50	4.41	3.70	3.13	1.44	2.17	1.18	0.67	3.70	2-225
FBWSH-2000SN	2"	2.38		2.01	5.28	4.49	3.81	1.75	2.56	1.46	0.83	6.31	2-228



Ordering Codes Summary



Due to our policy of continual product improvement, the specifications in this catalog may change without notice. When designing by spec, please request a certified print.

Companion Butt Weld Flanges (with Tapped Bolt Holes)

Companion Flange Part Number	Size		Working PSI	Dimensions (inches)								
	Flange	Pipe OD		A	B	C	D	E	F	G	H (UNC)	lbs.
FBWCL (Butt Weld, Companion, C.61)												
FBWCL-0500SN	1/2"	0.84	5000	0.51	2.24	1.81	1.50	0.69	1.42	0.63	5/16"	0.55
FBWCL-0750SN	3/4"	1.05	5000	0.75	2.56	1.97	1.88	0.88	1.42	0.71	3/8"	0.86
FBWCL-1000SN	1"	1.31	5000	0.98	2.76	2.17	2.06	1.03	1.50	0.71	3/8"	0.99
FBWCL-1250SN	1 1/4"	1.66	4000	1.26	3.11	2.68	2.31	1.19	1.61	0.83	7/16"	1.52
FBWCL-1500SN	1 1/2"	1.91	3000	1.50	3.66	3.07	2.75	1.41	1.73	0.98	1/2"	2.31
FBWCL-2000SN	2"	2.38	3000	2.01	4.02	3.54	3.06	1.69	1.77	0.98	1/2"	2.69
FBWCL-2500SN	2 1/2"	2.88	2500	2.48	4.49	4.13	3.50	2.00	1.97	0.98	1/2"	3.59
FBWCL-3000SN	3"	3.50	2000	2.87	5.28	4.88	4.19	2.44	1.97	1.06	5/8"	5.34
FBWCL-3500SN	3 1/2"	4.00	500	3.50	5.98	5.35	4.75	2.75	1.89	1.06	5/8"	5.49
FBWCL-4000SN	4"	4.50	500	3.90	6.38	5.75	5.13	3.06	1.89	1.06	5/8"	6.48
FBWCH (Butt Weld, Companion, C.62)												
FBWCH-0500SN	1/2"	0.84	6000 PSI	0.51	2.24	1.81	1.59	0.72	1.42	0.63	5/16"	0.55
FBWCH-0750SN	3/4"	1.05		0.75	2.80	2.17	2.00	0.94	1.38	0.83	3/8"	1.15
FBWCH-1000SN	1"	1.31		0.98	3.11	2.68	2.25	1.09	1.61	0.83	7/16"	1.54
FBWCH-1250SN	1 1/4"	1.66		1.26	3.66	3.07	2.63	1.25	1.73	0.98	1/2"	2.38
FBWCH-1500SN	1 1/2"	1.91		1.50	4.41	3.70	3.13	1.44	2.17	1.18	5/8"	3.88
FBWCH-2000SN	2"	2.38		2.01	5.28	4.49	3.81	1.75	2.56	1.46	3/4"	6.57

