

CSN Downline Adapter w/Pilot

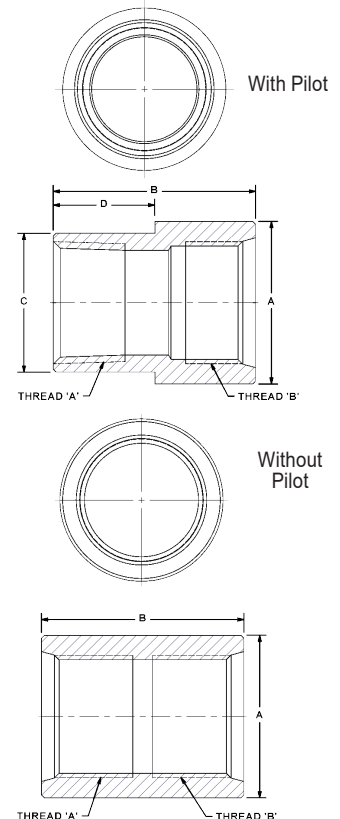
Facilitates return lines to reservoir ~ Sizes from 3/8" to 2"

The CSN is the downline coupling with a difference - DMIC's original design with pilot facilitates tidy welding to the reservoir. CSN adapters are offered to ease the transition for new power unit builders.



- Standard pilot for square placement on reservoir*.
- EZ-Weld material.
- Made in U.S.A. rapid delivery.
- Suction to 400 PSI.

* NOTE: There is "NO" pilot on a Female SAE



CSN	SAE Downline Dual Thread with Pilot				
	Port Size	Dimensions IN			
Port Codes	A	B	C	D	
N S W4 B	3/8"	0.94	1.41	0.81	0.71
	1/2"	1.13	1.72	1.00	0.86
	3/4"	1.50	1.98	1.25	0.99
	1"	1.75	2.17	1.50	1.09
	1 1/4"	2.13	2.25	1.87	1.13
	1 1/2"	2.38	2.26	2.12	1.13
2"	3.00	2.41	2.62	1.21	

Ordering Codes

CSN - ** N - ** S - 1 1

Null	
Code	Description
	This code is always "1"

First Size Code	
Code	Port Size
03	3/8"
05	1/2"
07	3/4"
10	1"
12	1 1/4"
15	1 1/2"
20	2"

Thread - A	
Code	Description
N	NPT-F (standard)
S	SAE-F ORB
W4	Sch. 40 Socket Weld
B	BSPP-F

Second Size Code	
Code	Port Size
03	3/8"
05	1/2"
07	3/4"
10	1"
12	1 1/4"
15	1 1/2"
20	2"

Thread - B	
Code	Description
S	SAE-F (standard)
W4	Sch. 40 Socket Weld
N	NPT-F

Adapter Material	
Code	Description
1	Low Carbon Steel
2	Stainless Steel

Choose Adapter Size

Replace ** with the desired adapter size.

Two different size codes selects step size option.

Alternate Thread "A" Selection

Replace the "N" NPT-F standard internal connection with a choice from the "Internal Thread-A" table. Please call to confirm price and availability.

Alternate Thread "B" Selection

Replace the "S" SAE-F standard thread connection with a choice from the "External Thread-B" table. Please call to confirm price and availability.

