



# BARREL PUMP

You work hard, expect your pumps to work as hard as you do. Insist on the genuine quality of DMIC plural component/spray foam pumps.

You can't afford to have down time or perform expensive rework because a 'low cost' knock-off pump experienced an internal failure.



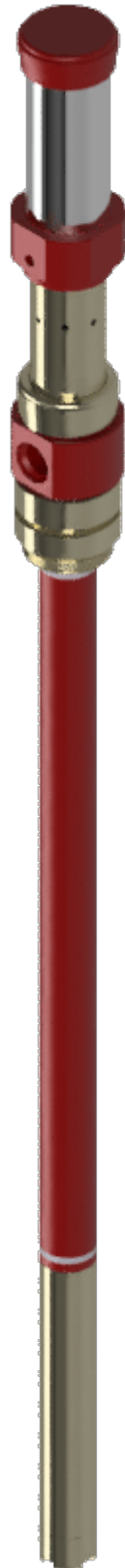
Above: Actual image from a brand new, never used knock-off pump right out of the shipping box. In the end, are there really savings when purchasing a knock off brand?

Made in our US factory near Buffalo, New York, DMIC plural component/spray foam pumps are made from the highest quality materials, chrome plated internal shaft, UHMWPE sealing with genuine Viton® O-Rings and PTFE cap seals on the air side.

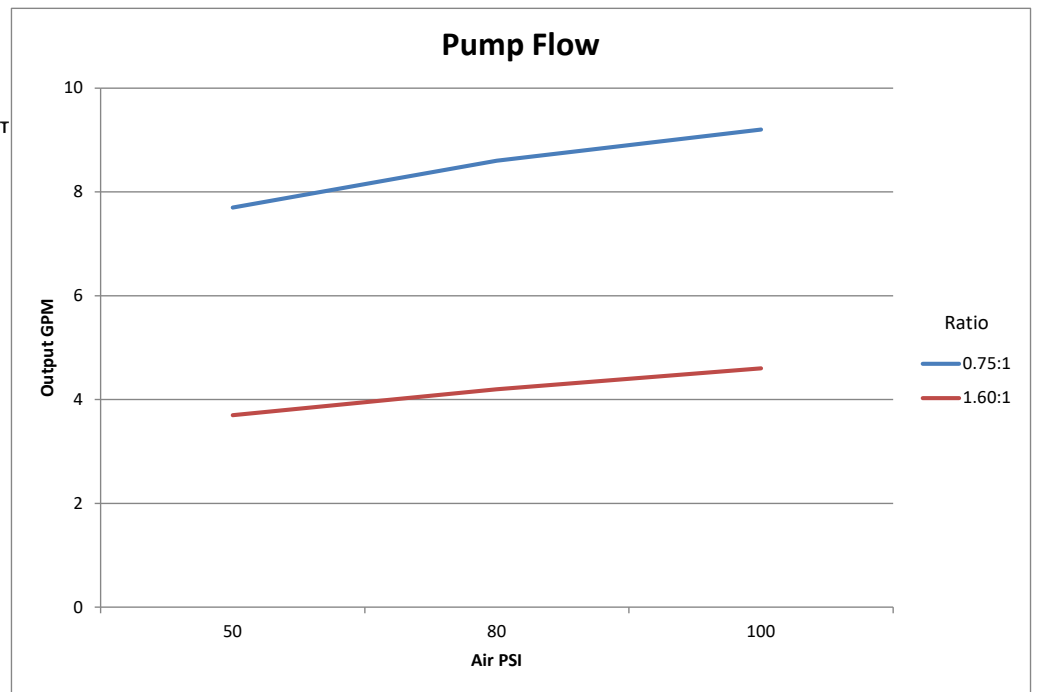
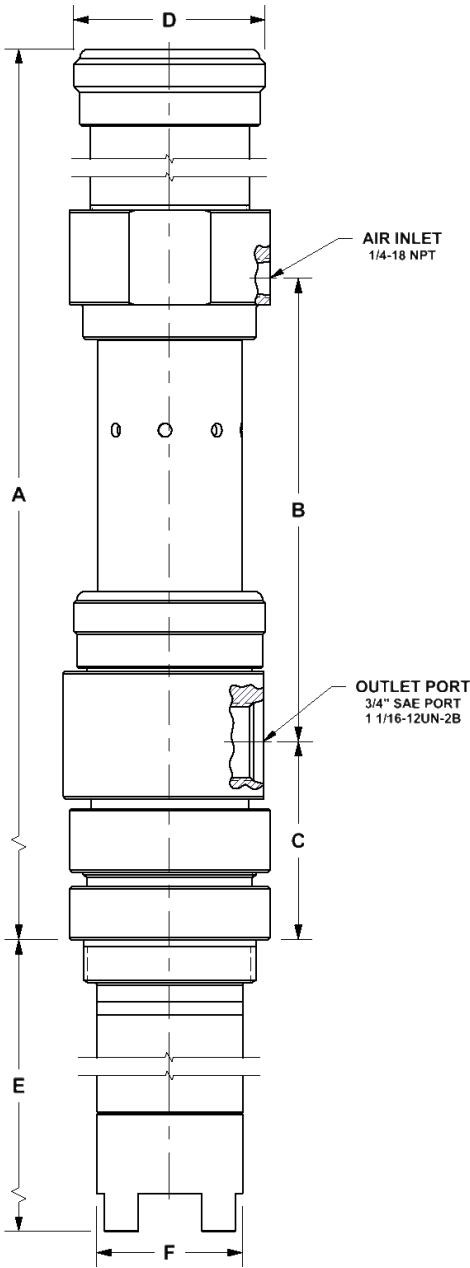
When you have a great product there are bound to be imitators. Remember, they can attempt to copy the parts and sell them to you but they cannot copy the engineering that goes into a consistent, high performing pump. Don't be sold the short end of the stick!

Suitable for:

- Hydraulic & Lube Oils
- Phosphate Esters
- Isocyanates
- Acid Catalyzed Finishes
- Polyureas
- Waterbornes
- Polyols



Available Colors:



Pump flow using 30w Hydraulic oil. May vary with temperature and viscosity.  
\*Minimum air is 80 PSI

Model	Pump Ratio	Max input (PSI)	Max output (PSI)	Avg GPM @ 80 PSI	Fluid Volume Per Stroke	Air Volume Per Stroke	A	B	C	D	E	F
05887	1.60:1	180	288	4.2	5.08 in <sup>3</sup>	10.79 in <sup>3</sup>	15.82	6.36	2.72	∅2.63	32.00	∅1.50
06095	0.75:1	180	135	8.5	10.38 in <sup>3</sup>	10.79 in <sup>3</sup>	15.82	6.36	2.72	∅2.63	34.00	∅2.00

All dimensions are inches

