

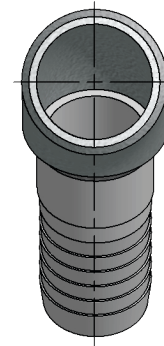
EBB PREFAB BARB TO 45° ELBOW

Terminate your Sch. 40 pipe run with a professionally made barb

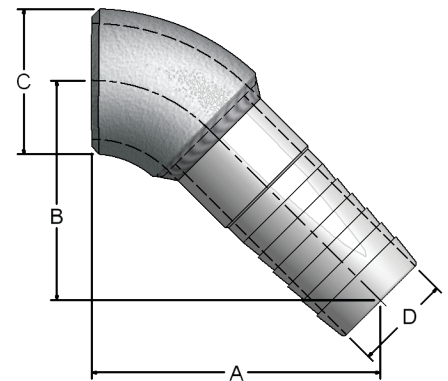


The **EBB** is a ready to use 45° elbow terminated with a genuine DMIC hose barb. This adapter was developed in response to customer requests for an easy way to terminate Sch. 40 pipe runs with a hose barb. Also offered in **BBE** 90° version: See pg. 15.

- Standards based radius and hose barb saves time and money compared to in-house fabrication
- Repeatable results every time
- Available in Stainless Steel
- Available step size barb preserves nominal ID in barb
- Suction to 400 PSI



EBB	Prefab Barb to 45° Elbow					
	Part Number	Port Size	Dimensions IN			
		A	B	C	D	
EBB-07HB-07WB4	¾"	2.83	2.08	1.05	0.63	0.20
EBB-10HB-10WB4	1"	3.05	2.17	1.31	0.88	0.30
EBB-12HB-12WB4	1¼"	3.65	2.65	1.66	1.05	0.60
EBB-15HB-15WB4	1½"	3.86	2.74	1.91	1.28	0.80
EBB-20HB-20WB4	2"	4.61	3.23	2.38	1.75	1.50
EBB-25HB-25WB4	2½"	5.64	3.89	2.88	2.25	2.60
EBB-30HB-30WB4	3"	6.42	4.42	3.50	2.75	3.90
EBB-40HB-40WB4	4"	7.63	5.13	4.50	3.75	6.60



Ordering Codes

EBB - ** HB - ** WB4 - 1 1

First Size Code		Hose Barb Side		Second Size Code		Sch.40 Butt Weld		Adapter Material	
Code	Port Size	Code	Description	Code	Port Size	Code	Description	Code	Description
07	¾"	HB	Inch Barb (Standard)	07	¾"	WB4	Butt Weld Pipe	1	Low Carbon Steel
10	1"	HM	Metric Barb	10	1"			2	Stainless Steel
12	1¼"			12	1¼"				
15	1½"			15	1½"				
20	2"			20	2"				
25	2½"			25	2½"				
30	3"			30	3"				
40	4"			40	4"				
50	5" - Call			50	5" - Call				
60	6" - Call			60	6" - Call				

Null
Code Description
This code is always "1"

Choose Adapter Size
Replace ** with the desired adapter size.
Two different size codes selects step size option.

Metric Hose Barb Connection
Adapters supplied in metric market locales use metric-barb IDs. Please call to confirm price and availability. Not available in U.S.A.

Due to our policy of continual product improvement, the specifications in this catalog may change without notice. When designing by spec, please request a certified print.

