

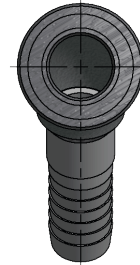
ESB BARB TO S/F HEAD 45°

A direct connection to your pump's inlet

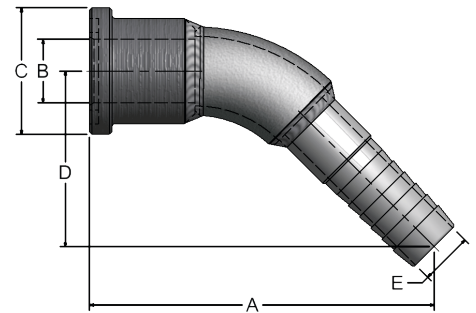


The **ESB** 45° elbows are an elegant routing tool for specific pump to reservoir geometries. Quick order with a Split Flange Kit for a fast and easy solution.

- Standard SAE Flange Head mounts with C.61 Split Flange Kit to your pump's 4-Bolt Companion Pad
- Smooth bend radius aids laminar flow and reduces pressure drop
- Optional oversize barb allows designers to preserve nominal line ID even on the hose segment
- Made in U.S.A. for rapid delivery, even in Stainless Steel
- Suction to 400 PSI



ESB	Barb to Split Flange Head, 45° Elbow							
	Part Number	Port Size	Dimensions IN					Lbs
		A	B	C	D	E		
ESB-07HB-07SM	¾"	4.08	0.75	1.50	2.08	0.63	0.60	FSL-0750SK
ESB-10HB-10SM	1"	4.30	1.00	1.75	2.17	0.88	0.90	FSL-1000SK
ESB-12HB-12SM	1¼"	4.90	1.25	2.00	2.65	1.05	1.20	FSL-1250SK
ESB-15HB-15SM	1½"	5.11	1.50	2.38	2.74	1.29	1.60	FSL-1500SK
ESB-20HB-20SM	2"	5.86	2.00	2.81	3.23	1.75	2.50	FSL-2000SK
ESB-25HB-25SM	2½"	7.39	2.50	3.31	3.89	2.25	4.30	FSL-2500SK
ESB-30HB-30SM	3"	8.29	3.00	4.00	4.42	2.75	6.40	FSL-3000SK
ESB-40HB-40SM	4"	9.38	4.00	5.00	5.13	3.75	9.60	FSL-4000SK



Ordering Codes

ESB - ****** **HB** - ****** **SM** - **1** **1**

Null	
Code	Description
This code is always "1"	

First Size Code	
Code	Port Size
07	¾"
10	1"
12	1¼"
15	1½"
20	2"
25	2½"
30	3"
40	4"
50	5" - Call
60	6" - Call

Hose Barb Side	
Code	Description
HB	Inch Barb (Standard)
HM	Metric Barb

Second Size Code	
Code	Port Size
07	¾"
10	1"
12	1¼"
15	1½"
20	2"
25	2½"
30	3"
40	4"
50	5" - Call
60	6" - Call

Split Flange Side	
Code	Description
SM	C.61 Split Flange Head

Adapter Material	
Code	Description
1	Low Carbon Steel
2	Stainless Steel

Choose Adapter Size

Replace ** with the desired adapter size.

Two different size codes selects step size option.

Metric Hose Barb Connection

Adapters supplied in metric market locales use metric-barb IDs. Please call to confirm price and availability.

Due to our policy of continual product improvement, the specifications in this catalog may change without notice. When designing by spec, please request a certified print.

