

FCHH Flow Control

Unidirectional flow with Built-In Check Valve ~ 1/4" to 2+" Carbon/ Stainless Steel construction for working pressures up to 10,000 PSI

Flow-regulating, steel or stainless steel body flow control valves with a built-in 5 psi check valve. Provides regulated flow in one direction and free flow in the opposite direction.



- Choice of carbon steel or stainless steel for body and trim.
- Choice of O-ring materials for fluid compatibility.
- Port sizes from 1/4" to 2".
- Choice of threaded connection types.
- Standard panel mounting holes.
- Graduated scale on shaft for visual setup validation.
- Set screw to secure knob for tamper prevention.
- Suitable for use with hydraulic oil.

FCHH - 0500 S 1 1 4 1

Size Codes	
Code	Port Size
0250	1/4"
0375	3/8"
0500	1/2"
0750	3/4"
1000	1"
1250	1 1/4"
1500	1 1/2"
2000	2"

Port Thread	
N	NPT
S	SAE (J1926-1)
B	BSPP

Body & Top Cap Material	
1	Carbon Steel
2	Stainless Steel

Needle, Poppet, & Spring Material	
Code	Description
1	Carbon Steel
2	Stainless Steel

O-Ring Seals	
Code	Description
1	Buna-N
2	EPR
3	Fluoroelastomer
4	PTFE
5	Chemraz™

Knob Material	
Code	Description
4	Aluminum (standard)
2	Stainless Steel*

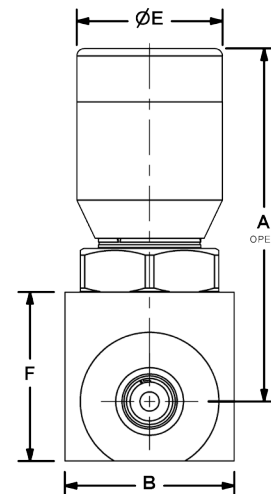
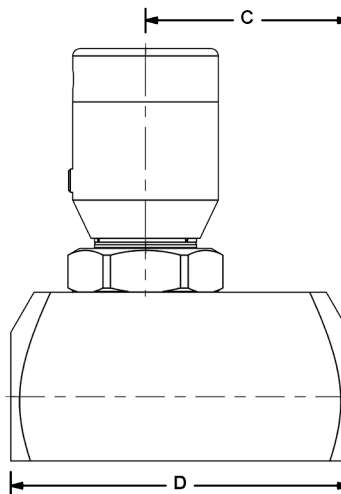
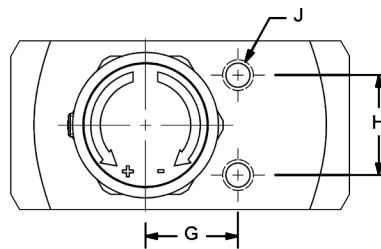
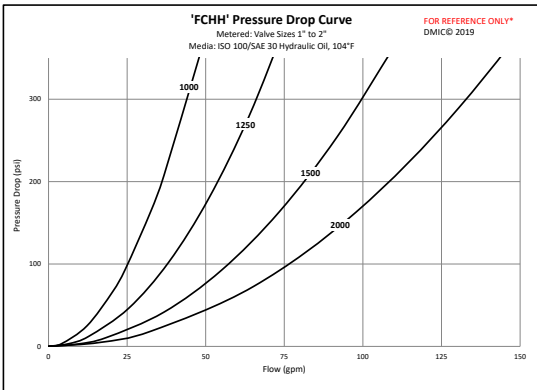
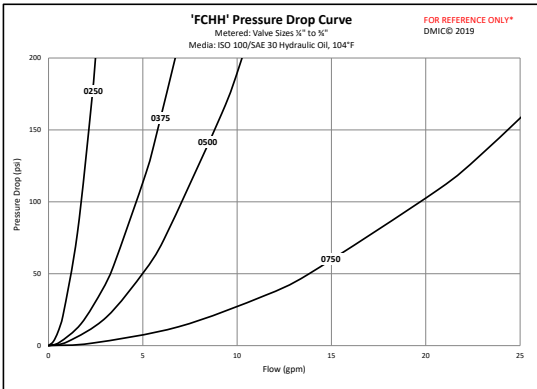
* Stainless Steel knob not color coded



FCHH Flow Control

FCHH	Nominal Size	Performance Data						Dimensions (inches)								
		Metered Direction			Free Flow			A	B	C	D	E	F	G	H	J (UNF UNC)
		Flow GPM	Orifice Area (in ²)	Effective C _v	Flow GPM	Orifice Area (in ²)	Effective C _v									
FCHH-0250N	1/4"	1.2 GPM	0.01	0.35	2.2 GPM	0.02	0.50	3.19	1.38	1.66	2.75	1.18	1.38	0.75	0.81	1/4"
FCHH-0250B																
FCHH-0250S																
FCHH-0375N	3/8"	2.6 GPM	0.03	0.43	5.8 GPM	0.06	0.89	3.25	1.50	1.98	3.13	1.63	1.50	0.88	0.88	1/4"
FCHH-0375B																
FCHH-0375S																
FCHH-0500N	1/2"	4.6 GPM	0.05	0.38	15.5 GPM	0.17	1.34	3.25	1.75	2.47	3.75	1.63	1.75	1.00	0.88	1/4"
FCHH-0500B																
FCHH-0500S																
FCHH-0750N	3/4"	10.3 GPM	0.11	1.81	31.0 GPM	0.33	4.90	4.02	2.00	3.04	4.73	1.63	2.25	1.00	1.25	1/4"
FCHH-0750B																
FCHH-0750S																
FCHH-1000N	1"	14.1 GPM	0.15	2.28	50.6 GPM	0.54	8.20	4.18	2.50	3.53	5.50	1.63	2.50	1.25	1.25	3/8"
FCHH-1000B																
FCHH-1000S																
FCHH-1250N	1 1/4"	28.7 GPM	0.31	3.51	84.9 GPM	0.91	13.91	4.83	2.75	4.25	6.25	1.63	3.25	1.50	1.50	3/8"
FCHH-1250B																
FCHH-1250S																
FCHH-1500N	1 1/2"	41.3 GPM	0.44	5.32	124.1 GPM	1.33	20.68	6.83	3.50	4.88	7.50	3.00	4.00	2.00	2.00	1/2"
FCHH-1500B																
FCHH-1500S																
FCHH-2000N	2"	73.4 GPM	0.79	7.13	241.4 GPM	2.58	41.06	7.58	4.00	6.13	9.00	3.00	4.88	2.25	2.00	1/2"
FCHH-2000B																
FCHH-2000S																

FCHH Size	Nominal Size	Material	MAWP (PSI)
0250	1/4"	Carbon Steel	10,000
		Stainless Steel	6,000
0375	3/8"	Carbon Steel	10,000
		Stainless Steel	6,000
0500	1/2"	Carbon Steel	10,000
		Stainless Steel	6,000
0750	3/4"	Carbon Steel	10,000
		Stainless Steel	6,000
1000	1"	Carbon Steel	10,000
		Stainless Steel	6,000
1250	1 1/4"	Carbon Steel	10,000
		Stainless Steel	6,000
1500	1 1/2"	Carbon Steel	10,000
		Stainless Steel	6,000
2000	2"	Carbon Steel	10,000
		Stainless Steel	6,000



This valve series is factory sealed and disassembly will destroy the valve and void the warranty. Due to our policy of continual product improvement, the specifications in this catalog may change without notice. When designing by spec, please request a certified print.

DFC-2102A

Page 9

Call Toll Free 1-800-248-3642

In Canada 1-800-320-3642



www.dmic.com
DMIC Flow Control Catalog
Copyright ©2021 Delaware Mfg.

ISO 9001 CERTIFIED