

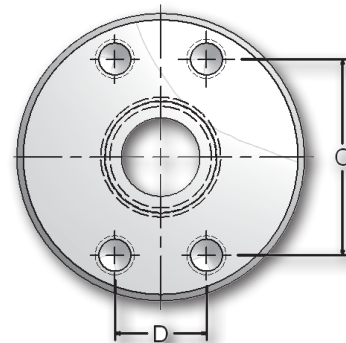
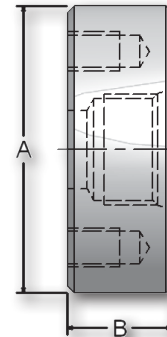
# FCM FLAT WELD SAE 4-B COMPANION

**Facilitates return lines to reservoir ~ Sizes from 3/4" to 6" SAE/ISO/BSP**



The **FCM** is a flat weld SAE 4-Bolt Companion Flange optimized for use as a reservoir outlet connection. An internal thread provides a mounting point for strainer or baffle tube.

- Standard UNC Bolt Holes with NPTF internal port for U.S. Buyers, option of metric bolt holes and BSP, IU, SAE, W4 porting
- An economical way to incorporate professional looking 4-bolt connections on the reservoir
- Available in Stainless Steel
- Suction to 400 PSI



FCM		Flat Weld Sidewall SAE C.61 Companion					
Part Number		Port Size	Dimensions IN				Lbs
NPT	BSP		A	B	C	D	
FCM-07FM-07N	FCM-07FM-07B	3/4"	2.75	1.00	1.88	0.88	1.40
FCM-10FM-10N	FCM-10FM-10B	1"	3.00	1.13	2.06	1.03	1.90
FCM-12FM-12N	FCM-12FM-12B	1 1/4"	3.25	1.13	2.31	1.19	2.10
FCM-15FM-15N	FCM-15FM-15B	1 1/2"	3.75	1.25	2.75	1.41	3.10
FCM-20FM-20N	FCM-20FM-20B	2"	4.50	1.25	3.06	1.69	3.70
FCM-25FM-25N	FCM-25FM-25B	2 1/2"	5.00	1.25	3.50	2.00	4.10
FCM-30FM-30N	FCM-30FM-30B	3"	6.00	1.50	4.19	2.44	7.60
FCM-40FM-40N	FCM-40FM-40B	4"	7.00	1.50	5.13	3.06	10.40

## Ordering Codes

**FCM - \*\* FM - \*\* S - 1 1**

Null	
Code	Description
	This code is always "1"

First Size Code	
Code	Port Size
07	3/4"
10	1"
12	1 1/4"
15	1 1/2"
20	2"
25	2 1/2"
30	3"
40	4"
50	5" - Call
60	6" - Call

C.61 Comp Side	
Code	Description
FM	C.61 4B UNC (US Std)
GM	C.61 4B Metric Bolts

**Choose Adapter Size**  
Replace \*\* with the desired adapter size.

Two different size codes selects step size option.

Second Size Code	
Code	Port Size
07	3/4"
10	1"
12	1 1/4"
15	1 1/2"
20	2"
25	2 1/2"
30	3"
40	4"
50	5" - Call
60	6" - Call

Internal Conn-F	
Code	Description
N	NPT-F (standard)
W4	Sch. 40 Socket Weld
S	SAE-F ORB
IU	ISO6149-F

### Alternate Thread Standard

Replace the "S" SAE ORB standard thread connection with a choice from the "Thread Side" table. Please call to confirm price and availability.

### Alternate Weld Connection Standard

DMIC does not offer any alternate weld connections for the **FCM** model flat weld adapter.

Adapter Material	
Code	Description
1	Low Carbon Steel
2	Stainless Steel

*Due to our policy of continual product improvement, the specifications in this catalog may change without notice. When designing by spec, please request a certified print.*

