

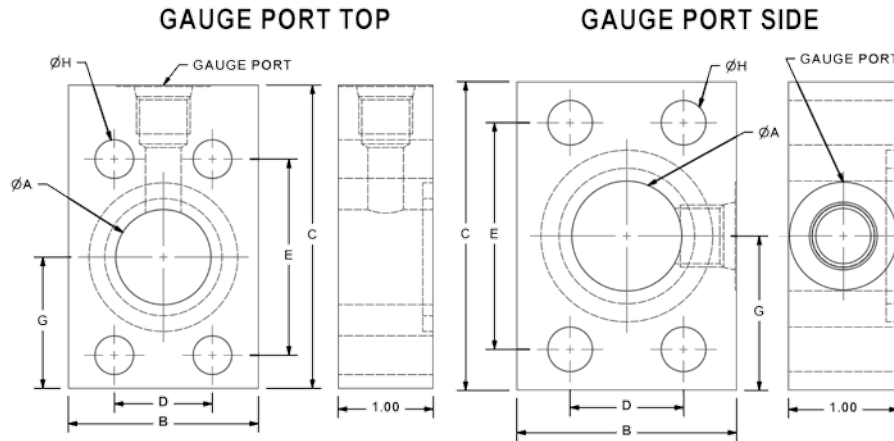
Gauge Block

Premium Gauge Block
~ Sizes from 3/4" to 4"

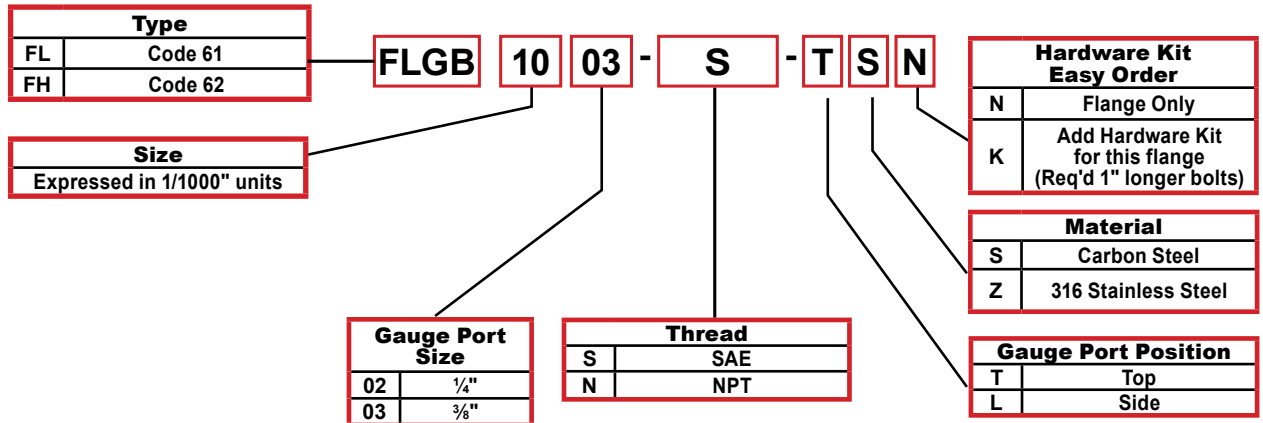


DMIC Gauge Block

- Add a Gauge Spacer - the easy way!
- Direct Mounted "Sandwich" style FLGB/FHGB. Simply slides into your existing SAE -4 Bolt connection
- Versatile test point for transducers, gauges, or to use as a drain point
- Requires longer bolts to mount in place



Ordering Codes Summary



Code 61 Sandwich Style Gauge Block (with O-Ring Groove)

Part Number	Working PSI	Dimensions (inches)							O-Ring
		A	B	C	D	E	G	H	
FLGB - Top Gauge Port - C.61									
FLGB-07**STSN	5000	0.75	1.75	3.13	0.88	1.88	1.28	0.41	2-210
FLGB-10**STSN	5000	1.00	2.00	3.19	1.03	2.06	1.38	0.41	2-214
FLGB-12**STSN	4000	1.25	2.50	3.50	1.19	2.31	1.56	0.47	2-219
FLGB-15**STSN	3000	1.50	3.00	3.69	1.41	2.75	1.84	0.53	2-222
FLGB-20**STSN	3000	2.00	3.50	4.00	1.69	3.06	2.00	0.53	2-225
FLGB-25**STSN	2500	2.50	4.00	4.50	2.00	3.50	2.25	0.53	2-228
FLGB-30**STSN	2000	3.00	5.00	5.31	2.44	4.19	2.66	0.67	2-232
FLGB-35**STSN	500	3.50	5.00	6.00	2.75	4.75	3.00	0.67	2-237
FLGB-40**STSN	500	4.00	6.00	6.38	3.06	5.13	3.19	0.67	2-245
FLGB - Side Gauge Port - C.61									
FLGB-07**SLSN	5000	0.75	1.75	2.63	0.88	1.88	1.31	0.41	2-210
FLGB-10**SLSN	5000	1.00	2.00	2.81	1.03	2.06	1.41	0.41	2-214
FLGB-12**SLSN	4000	1.25	2.50	3.13	1.19	2.31	1.56	0.47	2-219
FLGB-15**SLSN	3000	1.50	3.00	3.69	1.41	2.75	1.84	0.53	2-222
FLGB-20**SLSN	3000	2.00	3.50	4.00	1.69	3.06	2.00	0.53	2-225
FLGB-25**SLSN	2500	2.50	4.00	4.50	2.00	3.50	2.25	0.53	2-228
FLGB-30**SLSN	2000	3.00	5.00	5.31	2.44	4.19	2.66	0.67	2-232
FLGB-35**SLSN	500	3.50	5.00	6.00	2.75	4.75	3.00	0.67	2-237
FLGB-40**SLSN	500	4.00	6.00	6.38	3.06	5.13	3.19	0.67	2-245

Code 62 Sandwich Style Gauge Block (with O-Ring Groove)

Part Number	Working PSI	Dimensions (inches)							O-Ring
		A	B	C	D	E	G	H	
FHGB - Top Gauge Port - C.62									
FHGB-07**STSN	6000 PSI	0.75	2.00	3.31	0.93	2.00	1.41	0.41	2-210
FHGB-10**STSN		1.00	2.50	3.56	1.09	2.25	1.59	0.51	2-214
FHGB-12**STSN		1.25	3.00	4.00	1.25	2.62	1.88	0.53	2-219
FHGB-15**STSN		1.50	3.50	4.44	1.43	3.12	2.22	0.66	2-222
FHGB-20**STSN		2.00	4.00	5.25	1.75	3.81	2.63	0.78	2-225
FHGB - Side Gauge Port - C.62									
FHGB-07**SLSN	6000 PSI	0.75	2.00	2.81	0.93	2.00	1.41	0.41	2-210
FHGB-10**SLSN		1.00	2.50	3.19	1.09	2.25	1.60	0.51	2-214
FHGB-12**SLSN		1.25	3.00	3.75	1.25	2.62	1.88	0.53	2-219
FHGB-15**SLSN		1.50	3.50	4.44	1.43	3.12	2.22	0.66	2-222
FHGB-20**SLSN		2.00	4.00	5.25	1.75	3.81	2.63	0.78	2-225

Due to our policy of continual product improvement, the specifications in this catalog may change without notice. When designing by spec, please request a certified print.

