

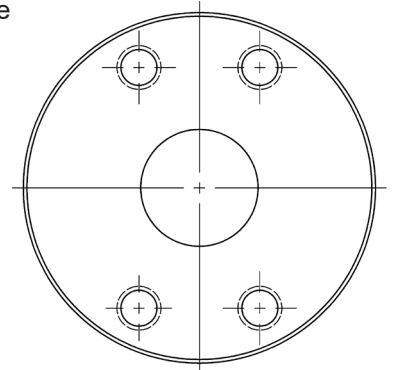
FMC SAE 4B Companion to Thread

Convert low pressure SAE/BSP thrd to SAE 4-Bolt UNC/Metric

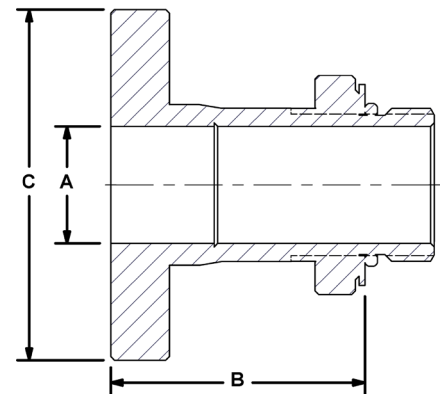


The FMC converts a standard or extended thread port to SAE 4-Bolt Companion connection. Useful for emergency valve conversion up to 400 PSI. Available with metric bolt holes and step size flange options.

- Fast and economical conversion to SAE 4-Bolt Companion, UNC (standard) or Metric Bolts.
- Reliable mechanical base for your SAE C.61 Split Flange terminated pipe or hose.
- Swivel permits proper bolt hole orientation.
- Suction to 400 PSI.



FMC	C.61 4B Companion to Thread, Inline				
	Port Codes	Port Size	Dimensions IN		
			A	B	C
FM GM AA S B	¾"	0.75	2.16	2.75	
	1"	1.00	2.16	3.00	
	1¼"	1.25	2.28	3.38	
	1½"	1.50	2.24	3.75	
	2"	2.00	2.29	4.25	
	2½"	2.50	2.47	4.75	
	3"	3.00	2.65	5.75	
4"	4.00	2.67	7.00		



Ordering Codes

FMC - ** FM - ** S - 1 1

O-Ring Elastomer	
Code	Description
1	Buna-N (standard)
2	Ethylene Propylene "EPR"
3	Viton

First Size Code	
Code	Port Size
07	¾"
10	1"
12	1¼"
15	1½"
20	2"
25	2½"
30	3"
40	4"
50	5" - Call
60	6" - Call

Split Flange Side	
Code	Description
FM	C.61 4B UNC (U.S. Std)
GM	C.61 4B Metric Bolts
AA	ANSI 150 #

Choose Adapter Size
Replace ** with the desired adapter size.
Two different size codes selects step size option.

Second Size Code	
Code	Port Size
07	¾"
10	1"
12	1¼"
15	1½"
20	2"
25	2½"
30	3"
40	4"
50	5" - Call
60	6" - Call

Thread Side	
Code	Description
S	SAE ORB
B	BSPP

Alternate Fastener Standard
Replace the "FM" C.61 UNC-Bolts Companion code with "GM" C.61 Metric Bolts Companion for metric market applications. Please call to confirm price and availability.

Alternate Thread Standard
Replace the "S" SAE ORB standard thread connection with a choice from the "Thread Side" table. Please call to confirm price and availability.

Adapter Material	
Code	Description
1	Low Carbon Steel
2	Stainless Steel

