

PC2H Pressure Comp

Unidirectional Metered Flow within $\pm 5\%$ ~ 1/4" to 1" Carbon Steel body for working pressures to 3,000 PSI



Flow-regulating needle valves provide metered flow in both directions. Flow rate is maintained within 5% in the event of upstream or downstream pressure fluctuations.

- 3,000 psi pressure rating.
- Carbon steel body, stainless steel trim, Buna-N O-ring.
- Port sizes from 1/4" to 1".
- Choice of threaded connection types.
- Dual taper needle for coarse adjustments at high flow and fine adjustments at low flow (optional fine needle profile available).
- Chromaflow feature provides color bands for visual setup validation.
- Set screw to secure knob for tamper prevention.
- Suitable for use with air or oil.

PC1H	Physical Parameters
VALVE BODY	Carbon Steel
POPPET	Stainless Steel
SEALING	Buna-N Standard
WORKING PSI (1/8"-3/4")	3,000 PSI (207 Bar)
SAFETY FACTOR	Minimum 3:1
RETURN FLOW CHECK	Absent in PC2H
CHECK VALVE SETTING	N/A
TEMP RANGE	-40°F/250°F (-40°C/121°C)

Ordering Codes

PC2H **0500** **N**

Size Codes	
Code	Port Size
0250	1/4"
0375	3/8"
0500	1/2"
0625	5/8"
0750	3/4"
1000	1"

Port Thread	
N	NPT
S	SAE ORB
B	BSPP

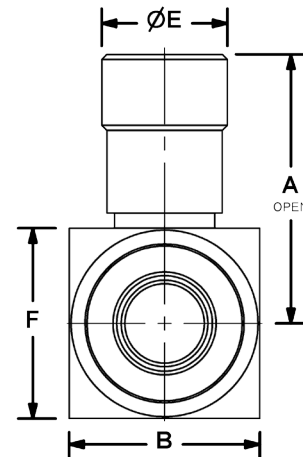
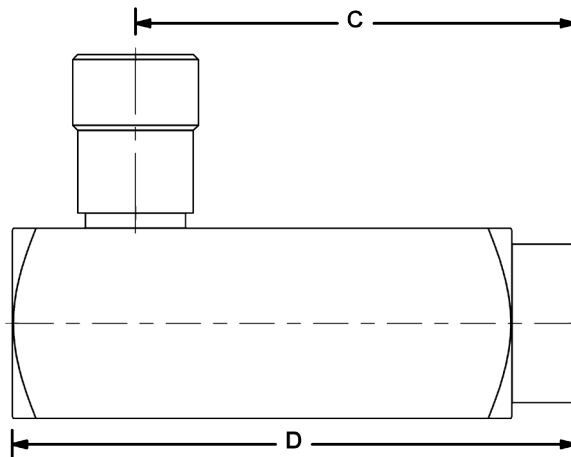
NOTES: (*) This model incorporates a reverse flow check. For 1-way select model **PC1H**, page 16
 (*) For production qty. orders, non-adjustable versions factory preset to Buyer's flow setting are available
 (*) **PC1H** and **PC2H** valves require a minimum pressure differential between the inlet and outlet ports for correct operation. For sizes below 1/2", 107.5 PSI (7 Bar) is required; larger sizes require 159.5 PSI (11 Bar)



PC2H Pressure Comp

PC2H	Nominal Size	Performance Data		Dimensions (inches)						
		Metered Direction Flow Range		A	B	C	D	E	F	Lbs.
		Minimum Flow GPM	Maximum Flow GPM							
PC2H-0250N	¼"	0.3 GPM	3 GPM	2.73	1.38	2.97	3.63	0.81	1.38	1.8
PC2H-0250B										
PC2H-0375N	⅜"	0.6 GPM	6 GPM	3.15	1.50	3.47	4.16	1.00	1.50	2.2
PC2H-0375B										
PC2H-0375S		0.3 GPM	3 GPM	2.73	1.38	2.97	3.63	0.81	1.38	1.8
PC2H-0500N	½"	1.5 GPM	15 GPM	4.04	1.75	4.06	4.94	1.19	1.75	3.7
PC2H-0500B										
PC2H-0500S		0.6 GPM	6 GPM	3.15	1.50	3.47	4.16	1.00	1.50	2.2
PC2H-0625S	⅝"	1.5 GPM	15 GPM	4.04	1.75	4.06	4.94	1.19	1.75	3.7
PC2H-0750N	¾"	2.5 GPM	25 GPM	5.06	2.25	4.79	5.88	1.38	2.25	8.0
PC2H-0750B										
PC2H-0750S		2.5 GPM	25 GPM	5.06	2.25	4.79	5.88	1.38	2.25	8.0
PC2H-1000N	1"	5.0 GPM	50 GPM	6.90	2.75	5.63	6.94	1.88*	2.75	14.6
PC2H-1000B										
PC2H-1000S				6.90	2.75	5.63	6.94	1.88*	2.75	14.6

(*) Depicts HEX size
 Note: [1] Typical flow rates in US GPM for 100 SSU petroleum based fluid



Note: [2] Flow characteristics shown are nominal values only. Actual results may differ depending on fluid viscosity, temperature, and port connection.

This valve series is factory sealed and disassembly will destroy the valve and void the warranty. Due to our policy of continual product improvement, the specifications in this catalog may change without notice. When designing by spec, please request a certified print.

