

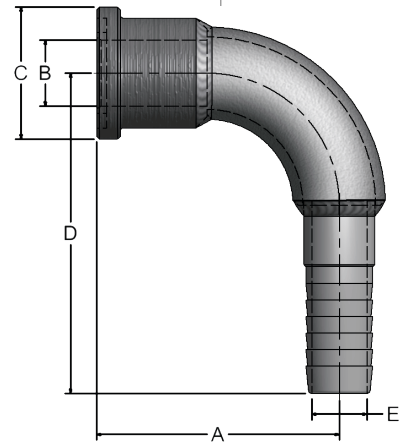
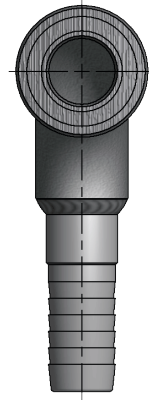
SBE BARB TO S/F HEAD 90°

Properly radiused adapter for tight access to pump inlets



The **SBE** 90° split to barb elbows are typically used at the inlet of SAE Flange pumps to terminate a suction hose run. Rugged mechanical construction provides durability at a classic power unit leak point.

- Standard SAE Flange Head mounts with a C.61 Split Flange Kit to your pump's 4-Bolt Companion Pad
- Smooth bend radius aids laminar flow and reduces pressure drop
- Optional oversize barb allows designers to preserve nominal line ID even on the hose segment
- Suction to 400 PSI



SBE	Barb to Split Flange, 90° Elbow								
	Part Number	Port Size	Dimensions IN					Lbs	Split Flange Kit (sold separately)
A			B	C	D	E			
	SBE-07HB-07SM	¾"	2.75	0.75	1.50	3.69	0.63	0.70	FSL-0750SK
	SBE-10HB-10SM	1"	2.75	1.00	1.75	3.69	0.88	1.10	FSL-1000SK
	SBE-12HB-12SM	1¼"	3.13	1.25	2.00	4.63	1.05	1.50	FSL-1250SK
	SBE-15HB-15SM	1½"	3.50	1.50	2.38	4.95	1.29	2.00	FSL-1500SK
	SBE-20HB-20SM	2"	4.25	2.00	2.81	6.19	1.75	3.20	FSL-2000SK
	SBE-25HB-25SM	2½"	5.50	2.50	3.31	7.50	2.25	5.70	FSL-2500SK
	SBE-30HB-30SM	3"	6.37	3.00	4.00	8.75	2.75	8.60	FSL-3000SK
	SBE-40HB-40SM	4"	7.75	4.00	5.00	10.75	3.75	13.80	FSL-4000SK

Ordering Codes

SBE - ** HB - ** SM - 1 1

First Size Code		Hose Barb Side		Second Size Code		Split Flange Side		Adapter Material	
Code	Port Size	Code	Description	Code	Port Size	Code	Description	Code	Description
07	¾"	HB	Inch Barb (Standard)	07	¾"	SM	C.61 Split Flange Head	1	Low Carbon Steel
10	1"	HM	Metric Barb	10	1"			2	Stainless Steel
12	1¼"			12	1¼"				
15	1½"			15	1½"				
20	2"			20	2"				
25	2½"			25	2½"				
30	3"			30	3"				
40	4"			40	4"				
50	5" - Call			50	5" - Call				
60	6" - Call			60	6" - Call				

Null
Code Description
This code is always "1"

Choose Adapter Size
Replace ** with the desired adapter size.
Two different size codes selects step size option.

Metric Hose Barb Connection
Adapters supplied in metric market locales use metric-barb IDs. Please call to confirm price and availability.

Due to our policy of continual product improvement, the specifications in this catalog may change without notice. When designing by spec, please request a certified print.

