

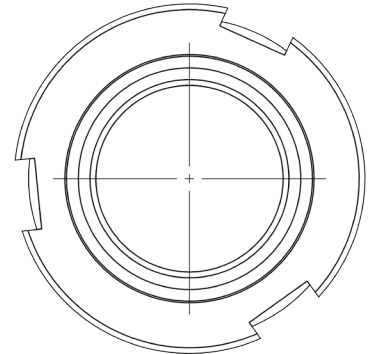
SFW Swivel Flat Weld to Thread

Flat weld mounts to reservoir ~ Sizes from 3/4" to 6" SAE/BSP

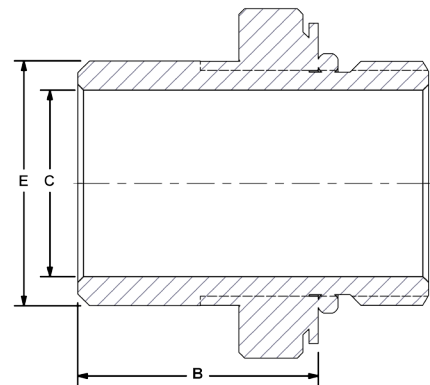


The **SFW** provides similar functionality to the SNS adapters (pg. 28) in a flat weld mount style. Available with in SAE O-Ring, and BSP.

- Swivel design with lock ring permits precise alignment on threaded side after weld complete.
- Valves can be absent during welding to eliminate contamination and heat damage.
- Reduced labor requirement and improved repeatability for both low volume and mass production projects.
- Made in USA for fast delivery and top quality.
- Suction to 400 PSI.



SFW	Flat Weld to SAE/BSP Thread, Swivel			
	Port Size	Dimensions IN		
		A	B	C
S B	3/4"	1.29	0.75	1.06
	1"	1.28	1.00	1.31
	1 1/4"	1.40	1.25	1.63
	1 1/2"	1.40	1.50	1.88
	2"	1.40	2.00	2.50
	2 1/2"	1.48	2.50	3.00
	3"	1.65	3.00	4.00
	4"	1.65	4.00	5.00



Ordering Codes

SFW - ** S - 1 1

Size Code	
Code	Port Size
07	3/4"
10	1"
12	1 1/4"
15	1 1/2"
20	2"
25	2 1/2"
30	3"
40	4"
50	5" - Call
60	6" - Call

External Thread-M	
Code	Description
S	Swivel SAE-M ORB
B	Swivel BSPP-M

Adapter Material	
Code	Description
1	Low Carbon Steel
2	Stainless Steel

Seal Material	
Code	Description
1	Buna-N (standard)
2	Ethylene Propylene "EPR"
3	Viton

Choose Adapter Size

Replace ** with the desired adapter size.

Two different size codes selects step size option.

Alternate External Thread Standard

Replace the "S" SAE ORB standard thread connection with a choice from the "Thread Side" table. Please call to confirm price and availability.

Alternate Weld Connection Standard

DMIC does not offer any alternate weld connections for the SFW model adapter. For a Socket Weld variation, see SSW on page 7.

