

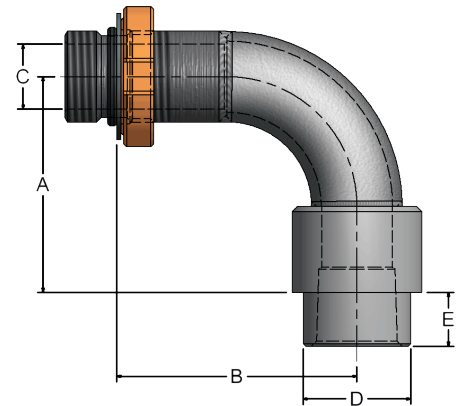
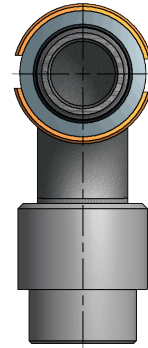
# SNE INT-EXT THREAD SIMPLIFIER 90°

## Three-in-one swivel elbow from reservoir to thread/socket weld



The **SNE** is ideal for placement of inlet valves in mechanically rigid flooded suction positions. Internal thread/socket weld allows mounting of strainer or baffle pipe. External thread with swivel feature permits perfect alignment of shutoff valve.

- Built-in pilot simplifies alignment to reservoir \*
- Standard and expanded SAE/6149/BSP ports
- Choice of thread or socket weld internal connection
- Available in Stainless Steel and special sealing
- Suction to 400 PSI



\* NOTE: There is "NO" pilot on a Female SAE or ISO connection - "D"

SNE		Suction Line Simplifier, 90° Elbow, w/Internal Thread						
Part Number		Port Size	Dimensions IN					Lbs
Threaded Int.	Socket Weld		A	B	C	D	E	
SNE-07N-07**	SNE-07W4-07**	¾"	2.50	2.78	0.75	1.25	0.63	1.00
SNE-10N-10**	SNE-10W4-10**	1"	2.50	2.75	1.00	1.50	0.63	1.20
SNE-12N-12**	SNE-12W4-12**	1¼"	3.01	3.28	1.25	1.87	0.75	1.90
SNE-15N-15**	SNE-15W4-15**	1½"	3.38	3.68	1.50	2.12	0.75	2.40
SNE-20N-20**	SNE-20W4-20**	2"	4.13	4.38	2.00	2.62	0.88	3.90
SNE-25N-25**	SNE-25W4-25**	2½"	5.38	5.12	2.50	3.25	1.00	7.40
SNE-30N-30**	SNE-30W4-30**	3"	6.00	6.13	3.00	4.00	1.00	11.80
SNE-40N-40**	SNE-40W4-40**	4"	8.00	7.69	4.00	5.00	1.00	19.00

## Ordering Codes

**SNE - \*\* N - \*\* S - 1 1**

First Size Code	
Code	Port Size
07	¾"
10	1"
12	1¼"
15	1½"
20	2"
25	2½"
30	3"
40	4"
50	5" - Call
60	6" - Call

Internal Conn - F	
Code	Description
N	NPT-F (standard)
S	SAE-F ORB
W4	Sch. 40 Socket Weld
B	BSPP-F
IU	ISO6149-F

**Choose Adapter Size**  
Replace \*\* with the desired adapter size.

Two different size codes selects step size option.

Second Size Code	
Code	Port Size
07	¾"
10	1"
12	1¼"
15	1½"
20	2"
25	2½"
30	3"
40	4"
50	5" - Call
60	6" - Call

External Thread - M	
Code	Description
S	Swivel SAE-M ORB
IU	Swivel ISO6149-M
B	Swivel BSPP-M

### Alternate Internal Connection (Old SWE type)

Replace the "N" NPT-F standard internal connection with a **Sch. 40 Socket Weld** or other option from the "Internal Conn-F" table.

### Alternate External Thread Standard

Replace the "S" SAE-M standard thread connection with a choice from the "External Thread-M" table. Please call to confirm price and availability.

O-Ring Elastomer	
Code	Description
1	Buna-N (standard)
2	Ethylene Propylene "EPR"
3	Viton

Adapter Material	
Code	Description
1	Low Carbon Steel
2	Stainless Steel

Due to our policy of continual product improvement, the specifications in this catalog may change without notice. When designing by spec, please request a certified print.

