

SNS Int-Ext Thread Simplifier

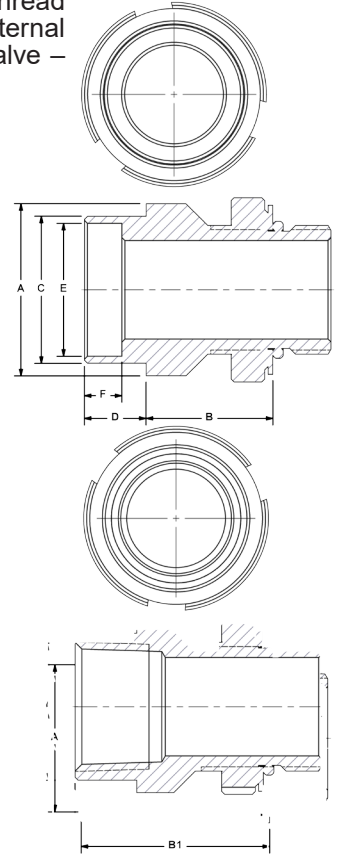
Three-in-one adapter for leak free reservoir to thread/socket weld



The SNS is an ideal solution for the production power unit builder. Weld the SNS below fluid level to your reservoir. An internal thread or Sch.40 socket allows mounting of strainer or baffle pipe. External SAE/BSP swivel thread permits perfect alignment of shutoff valve – it's a win-win solution for speed and quality.

- Built-in pilot simplifies alignment to reservoir *
- Standard and expanded SAE/BSP ports.
- Choice of thread or socket weld internal connection.
- Available in Stainless Steel and special sealing.
- Suction to 400 PSI.

* NOTE: There is "NO" pilot on a Female SAE connection - "C"



SNS		Suction Line Simplifier, Inline w/Internal Thread						
Port Code	Port Size	Dimensions IN						
		A	B	B1	C	D	E (W4 Only)	F (W4 Only)
N S W4 B	3/4"	1.50	1.16	1.79	1.25	0.63	1.09	0.38
	1"	1.75	1.28	1.91	1.50	0.63	1.35	0.38
	1 1/4"	2.13	1.41	2.16	1.88	0.75	1.70	0.50
	1 1/2"	2.38	1.53	2.29	2.13	0.75	1.95	0.50
	2"	2.88	1.53	2.41	2.63	0.88	2.41	0.63
	2 1/2"	3.50	1.59	2.59	3.25	1.00	2.91	0.75
	3"	4.25	1.66	2.67	4.00	1.00	3.54	0.75
	4"	5.25	1.66	2.67	5.00	1.00	4.54	0.75

Ordering Codes

SNS - ** N - ** S - 1 1

O-Ring Elastomer	
Code	Description
1	Buna-N (standard)
2	Ethylene Propylene "EPR"
3	Viton

First Size Code	
Code	Port Size
07	3/4"
10	1"
12	1 1/4"
15	1 1/2"
20	2"
25	2 1/2"
30	3"
40	4"
50	5" - Call
60	6" - Call

Internal Conn - F	
Code	Description
N	NPT-F (standard)
S	SAE-F ORB
W4	Sch. 40 Socket Weld
B	BSPF-F

Choose Adapter Size
Replace ** with the desired adapter size.
Two different size codes selects step size option.

Second Size Code	
Code	Port Size
07	3/4"
10	1"
12	1 1/4"
15	1 1/2"
20	2"
25	2 1/2"
30	3"
40	4"
50	5" - Call
60	6" - Call

External Thread - M	
Code	Description
S	Swivel SAE-M ORB
B	Swivel BSPP-M

Alternate Internal Connection (Old SWS type)

Replace the "N" NPT-F standard internal connection with a Sch. 40 Socket Weld or other option from the "Internal Conn-F" table.

Alternate External Thread Standard

Replace the "S" SAE-M standard thread connection with a choice from the "External Thread-M" table. Please call to confirm price and availability.

Adapter Material	
Code	Description
1	Low Carbon Steel
2	Stainless Steel

