

# Threaded 90° Elbows

Premium Forged Steel design  
NPT/SAE thread ~ Sizes from 1/2" to 2"



DMIC Forged Steel 90° Elbows are engineered to promote laminar flow through the change of fluid direction. Additional benefits include weight savings and aesthetic improvement. DMIC offers extensive stock of 90° Elbows for rapid shipment.

- Sizes from 1/2" through 2", full port size only
- "Standard" type with through bolt holes and O-Ring groove
- Reduced pressure drop and improved laminar flow
- DMIC "Standard" flanges designed to accept either UNC or metric bolts

## Code 61 Threaded 90° Elbow Flanges (with O-Ring Groove)

90° Elbow Flange Part Number	Size		Working PSI	Dimensions (inches)										O-Ring
	Flange Pad	Port Thread		A	B	C	D	E	F	G	H	J	lbs.	
<b>FL4EU-NSN (NPT-F Thread, Standard, C.61)</b>														
FL4EU-0500NSN	1/2"	1/2" NPT	5000	0.51	2.13	2.36	1.50	0.69	0.79	0.63	0.35	1.46	0.62	2-210
FL4EU-0750NSN	3/4"	3/4" NPT	5000	0.75	2.56	2.48	1.88	0.88	0.94	0.71	0.43	1.50	0.99	2-214
FL4EU-1000NSN	1"	1" NPT	5000	0.98	2.76	2.76	2.06	1.03	1.10	0.75	0.43	1.69	1.23	2-219
FL4EU-1250NSN	1 1/4"	1 1/4" NPT	4000	1.26	3.11	3.35	2.31	1.19	1.34	0.83	0.45	2.01	1.96	2-222
FL4EU-1500NSN	1 1/2"	1 1/2" NPT	3000	1.50	3.66	3.74	2.75	1.41	1.50	0.98	0.53	2.20	2.60	2-225
FL4EU-2000NSN	2"	2" NPT	3000	2.01	4.33	4.33	3.06	1.69	1.65	0.98	0.53	2.56	4.54	2-228
<b>FL4EU-SSN (SAE-F Thread, Standard, C.61)</b>														
FL4EU-0500SSN	1/2"	1/2" SAE	5000	0.51	2.13	2.36	1.50	0.69	0.79	0.63	0.35	1.46	0.62	2-210
FL4EU-0750SSN	3/4"	3/4" SAE	5000	0.75	2.56	2.48	1.88	0.88	0.94	0.71	0.43	1.50	0.99	2-214
FL4EU-1000SSN	1"	1" SAE	5000	0.98	2.76	2.76	2.06	1.03	1.10	0.75	0.43	1.69	1.23	2-219
FL4EU-1250SSN	1 1/4"	1 1/4" SAE	4000	1.26	3.11	3.35	2.31	1.19	1.34	0.83	0.45	2.01	1.96	2-222
FL4EU-1500SSN	1 1/2"	1 1/2" SAE	3000	1.50	3.66	3.74	2.75	1.41	1.50	0.98	0.53	2.20	2.60	2-225
FL4EU-2000SSN	2"	2" SAE	3000	2.01	4.33	4.33	3.06	1.69	1.65	0.98	0.53	2.56	4.54	2-228

## Code 62 Threaded 90° Elbow Flanges (with O-Ring Groove)

90° Elbow Flange Part Number	Size		Working PSI	Dimensions (inches)										O-Ring
	Flange Pad	Port Thread		A	B	C	D	E	F	G	H	J	lbs.	
<b>FH4EU-NSN (NPT-F Thread, Standard, C.62)</b>														
FH4EU-0500NSN	1/2"	1/2" NPT	6000	0.51	2.13	2.36	1.59	0.72	0.79	0.63	0.35	1.46	0.62	2-210
FH4EU-0750NSN	3/4"	3/4" NPT		0.75	2.76	2.76	2.00	0.94	1.10	0.75	0.43	1.69	1.52	2-214
FH4EU-1000NSN	1"	1" NPT		0.98	3.11	3.35	2.25	1.09	1.34	0.83	0.51	2.01	2.45	2-219
FH4EU-1250NSN	1 1/4"	1 1/4" NPT		1.26	3.66	3.74	2.63	1.25	1.50	0.98	0.59	2.20	3.20	2-222
FH4EU-1500NSN	1 1/2"	1 1/2" NPT		1.50	4.33	4.33	3.13	1.44	1.65	0.98	0.67	2.56	6.06	2-225
FH4EU-2000NSN	2"	2" NPT		2.01	5.28	5.20	3.81	1.75	1.77	1.38	0.83	2.95	8.71	2-228
<b>FH4EU-SSN (SAE-F Thread, Standard, C.62)</b>														
FH4EU-0500SSN	1/2"	1/2" SAE	6000	0.51	2.13	2.36	1.59	0.72	0.79	0.63	0.35	1.46	0.62	2-210
FH4EU-0750SSN	3/4"	3/4" SAE		0.75	2.76	2.76	2.00	0.94	1.10	0.75	0.43	1.69	1.52	2-214
FH4EU-1000SSN	1"	1" SAE		0.98	3.11	3.35	2.25	1.09	1.34	0.83	0.51	2.01	2.45	2-219
FH4EU-1250SSN	1 1/4"	1 1/4" SAE		1.26	3.66	3.74	2.63	1.25	1.50	0.98	0.59	2.20	3.20	2-222
FH4EU-1500SSN	1 1/2"	1 1/2" SAE		1.50	4.33	4.33	3.13	1.44	1.65	0.98	0.67	2.56	6.06	2-225
FH4EU-2000SSN	2"	2" SAE		2.01	5.28	5.20	3.81	1.75	1.77	1.38	0.83	2.95	8.71	2-228

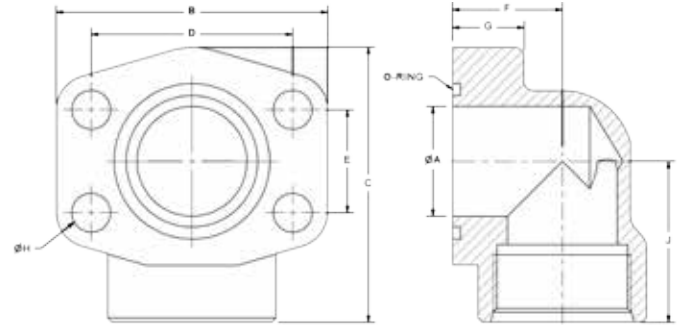


# Ordering Codes Summary

Series	
FL	C.61
FH	C.62
Type	
4E	90° Forged Elbow
Configuration	
U	Standard Flange
C	Companion Flange
Size	
Expressed in 1/1000" units	
Port Thread	
N	NPT-F
S	SAE-F
Material	
S	Forged Steel
Z	Stainless Steel

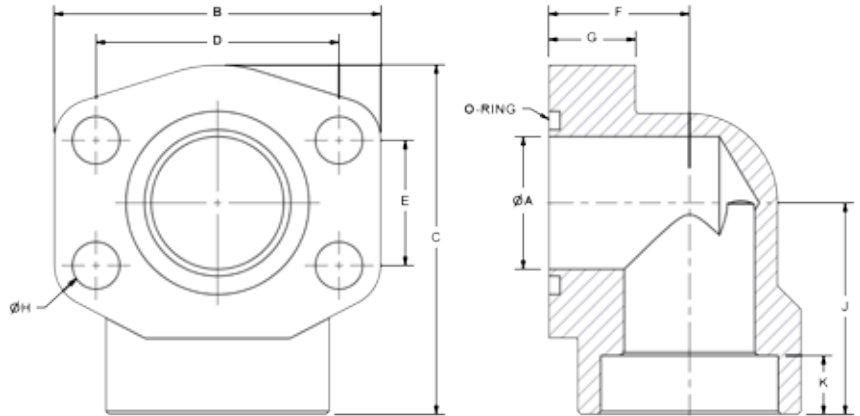
**FH 4E U - 0750 - N S N**

Hardware Kit Easy Order	
N	Flange Only
K	Add Hardware Kit for this flange (See Page 16 for Options)



Due to our policy of continual product improvement, the specifications in this catalog may change without notice. When designing by spec, please request a certified print.

# Socket Weld 90° Elbows



Standard Flange Part Number	Size		Working PSI	Dimensions (inches)											O-Ring
	Flange Pad	Pipe OD		A	B	C	D	E	F	G	H	J	K	lbs.	
<b>FWIEL (Socket Weld, Standard, C.61)</b>															
FWIEL-0500SN	1/2"	0.84	5000	0.51	2.13	2.36	1.50	0.69	0.79	0.63	0.35	1.46	0.39	0.62	2-210
FWIEL-0750SN	3/4"	1.05	5000	0.75	2.56	2.48	1.88	0.88	0.94	0.71	0.43	1.50	0.39	0.99	2-214
FWIEL-1000SN	1"	1.31	5000	0.98	2.76	2.76	2.06	1.03	1.10	0.75	0.43	1.69	0.47	1.23	2-219
FWIEL-1250SN	1 1/4"	1.66	4000	1.26	3.11	3.35	2.31	1.19	1.34	0.83	0.45	2.01	0.55	1.96	2-222
FWIEL-1500SN	1 1/2"	1.91	3000	1.50	3.66	3.74	2.75	1.41	1.50	0.98	0.53	2.20	0.63	2.60	2-225
FWIEL-2000SN	2"	2.38	3000	2.01	4.33	4.33	3.06	1.69	1.65	0.98	0.53	2.56	0.71	4.54	2-228
<b>FWIEH (Socket Weld, Standard, C.62)</b>															
FWIEH-0500SN	1/2"	0.84	6000	0.51	2.13	2.36	1.59	0.72	0.79	0.63	0.35	1.46	0.39	0.62	2-210
FWIEH-0750SN	3/4"	1.05		0.75	0.39	2.76	2.00	0.94	1.10	0.75	0.43	1.69	0.47	1.52	2-214
FWIEH-1000SN	1"	1.31		0.98	3.11	3.35	2.25	1.09	1.34	0.83	0.51	2.01	0.55	2.45	2-219
FWIEH-1250SN	1 1/4"	1.66		1.26	3.66	3.74	2.63	1.25	1.50	0.98	0.59	2.20	0.63	3.20	2-222
FWIEH-1500SN	1 1/2"	1.91		1.50	4.33	4.33	3.13	1.44	1.65	0.98	0.67	2.56	0.71	6.06	2-225
FWIEH-2000SN	2"	2.38		2.01	5.28	5.20	3.81	1.75	1.77	1.38	0.83	2.95	0.98	8.49	2-228



www.dmic.com  
DMIC Flange Catalog  
Copyright ©2018 Delaware Mfg.

DFL-1809A

Page 8

Call Toll Free 1-800-248-3642  
In Canada 1-800-320-3642



ISO 9001 Certified